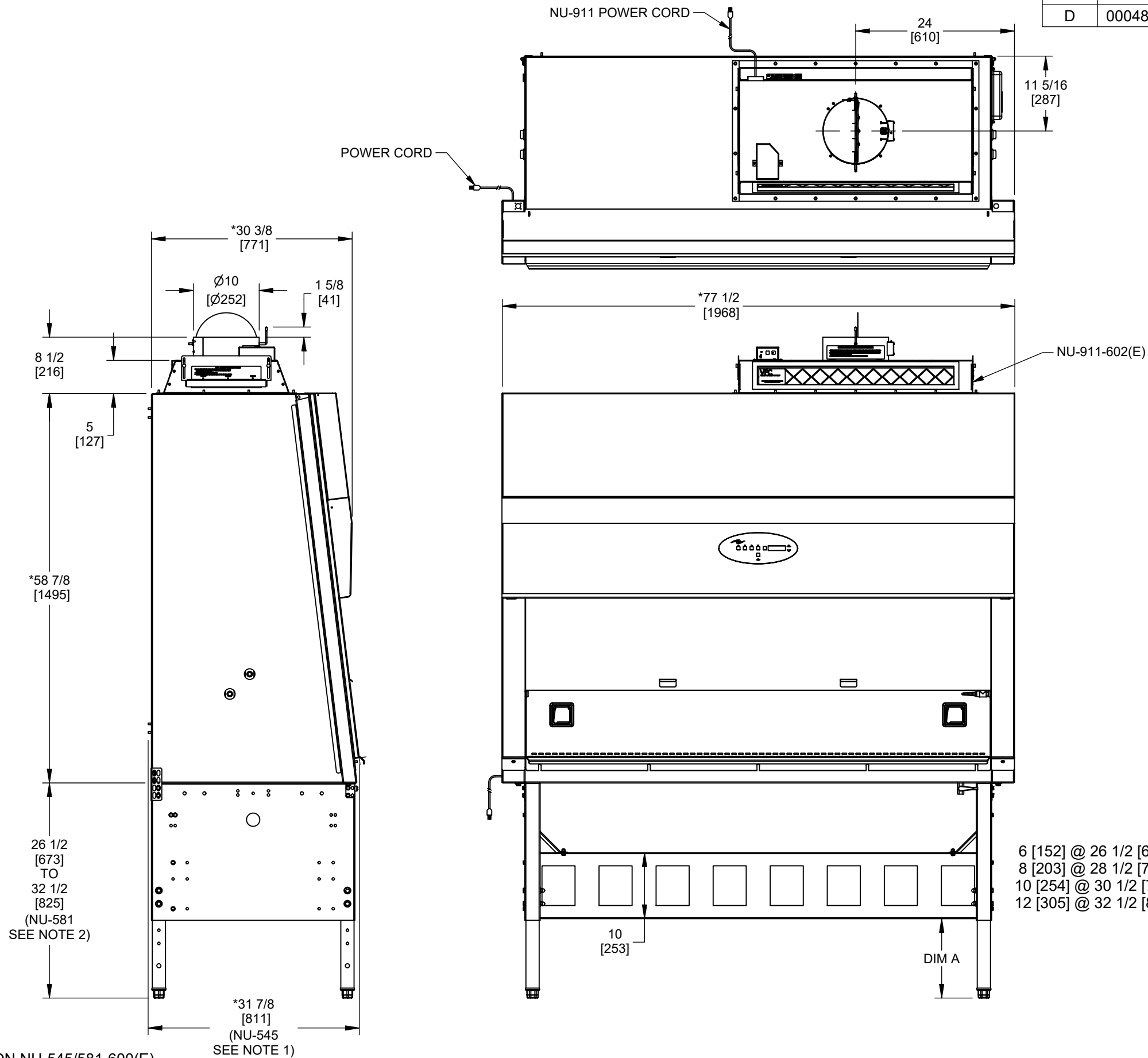


REV	CO	DESCRIPTION	DATE	DFTR	CHKD
D	000483	UPDATED	12/2/2020	TH	DSH



DIM A
 6 [152] @ 26 1/2 [673] BASESTAND HEIGHT
 8 [203] @ 28 1/2 [724] BASESTAND HEIGHT
 10 [254] @ 30 1/2 [775] BASESTAND HEIGHT
 12 [305] @ 32 1/2 [825] BASESTAND HEIGHT

NOTE:
 1. 32 1/8 [815] ON NU-545/581-600(E)
 2. 26 [660] TO 32 [813] ON NU-581-600(E)
 3. CONTROL PANEL AND BASE CONFIGURATION MAY CHANGE BY MODEL

** ADD 1/2" [13] TO OVERALL HEIGHT WITH PROTECTIVE GRILL REMOVED

TITLE NU-500s-600/E with NU-911					
DFTM LS	DATE 5/20/2014	CHKD BP	SHEET 1	OF 1	
DRAWING NUMBER BCD-17254			D		

INCH
MILLIMETER