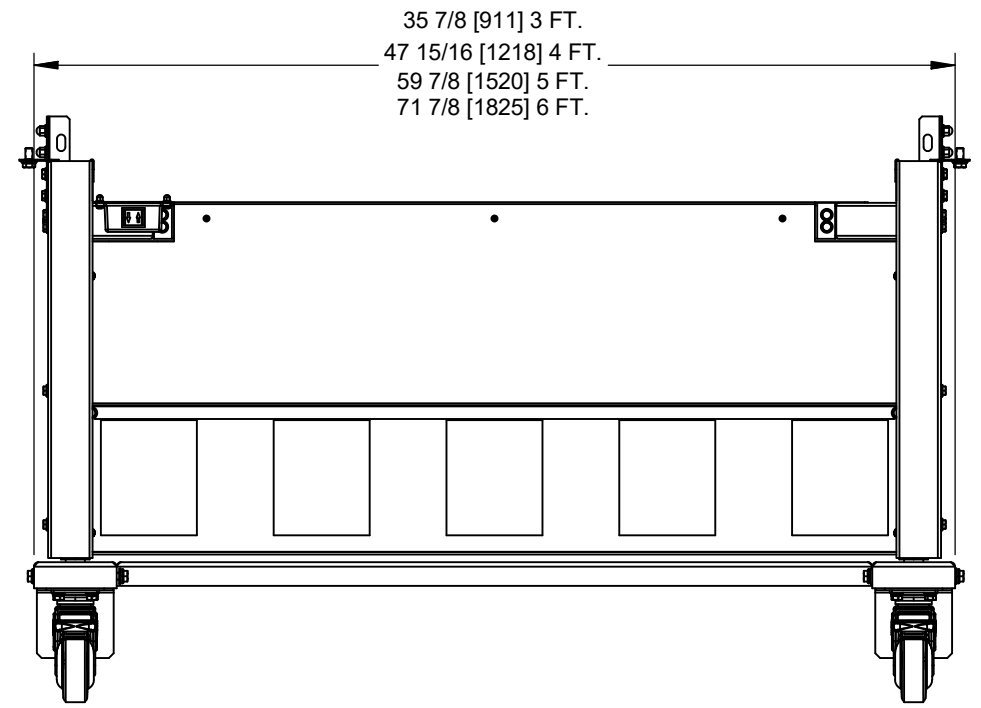
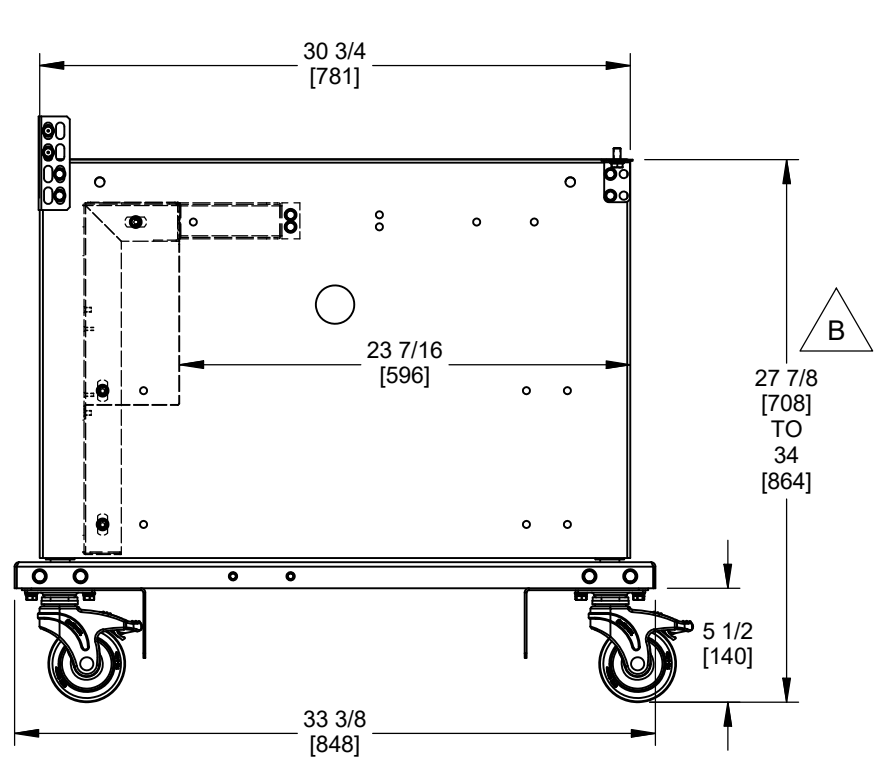
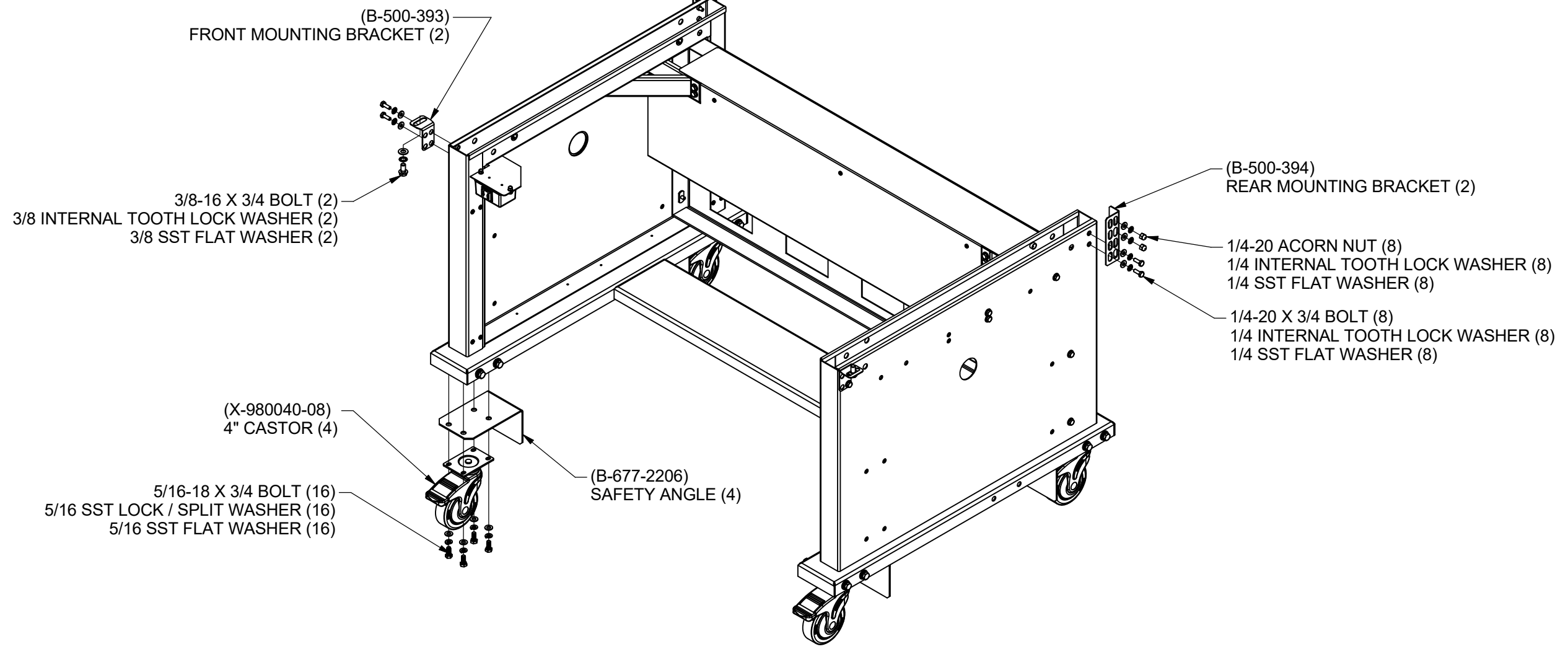



REV	ECO	DESCRIPTION	DATE	DFTM	CHKD
B	13858	CORRECTED CASTOR PART NUMBER, UPDATED HEIGHT RANGE	9/10/2018	TH	DSH



NU-500-129
NU-500-130
NU-500-131
NU-500-132
NU-500-137
NU-500-138
NU-500-139
NU-500-140

					
TITLE					
NU-500 HYDRAULIC BASESTAND ASSEMBLY W/ CASTORS					
DFTM	DATE	CHKD	SHEET	OF	
TH	8/6/2018	DSH	1	1	
DRAWING NUMBER			BCD-20214		B