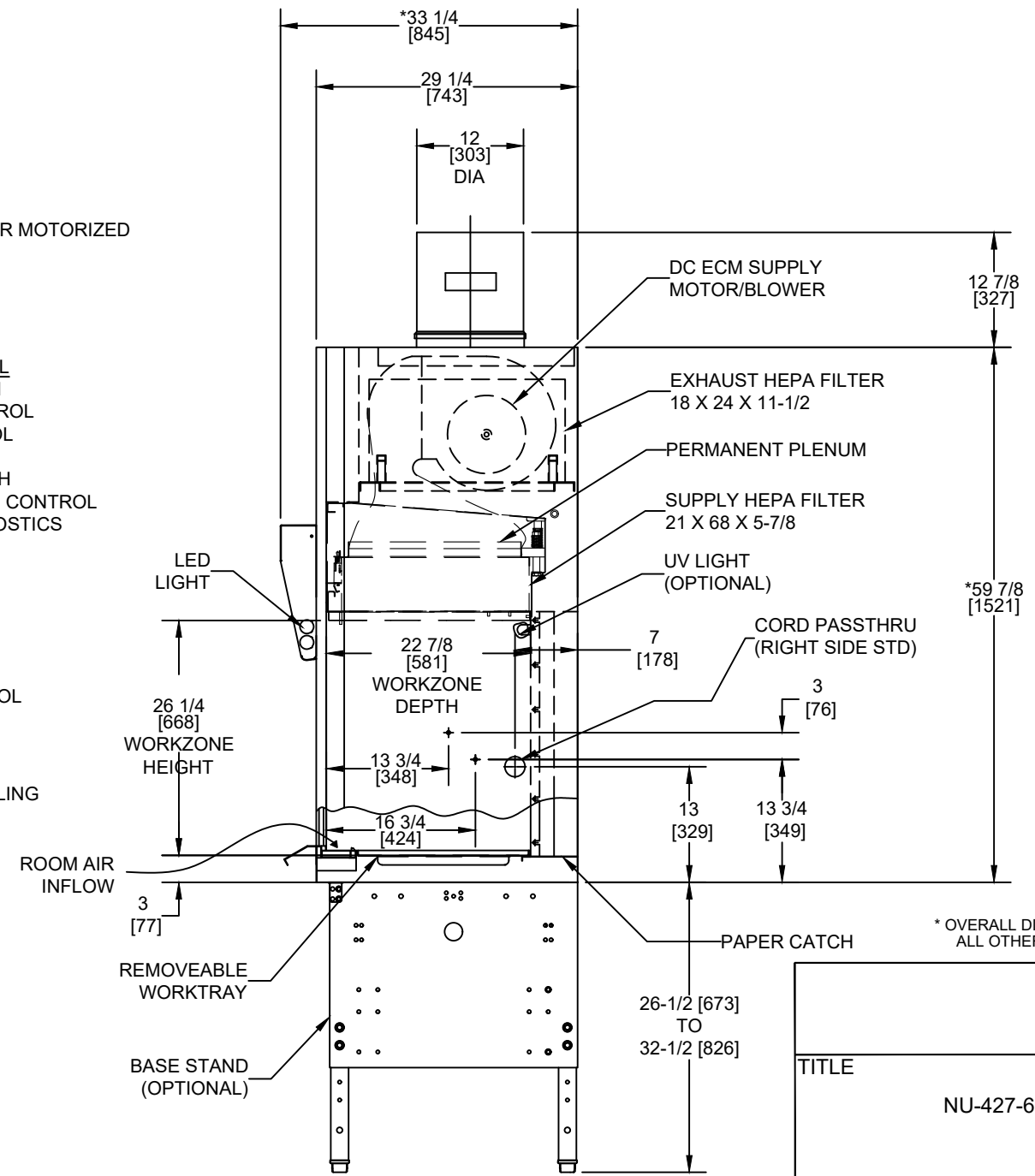
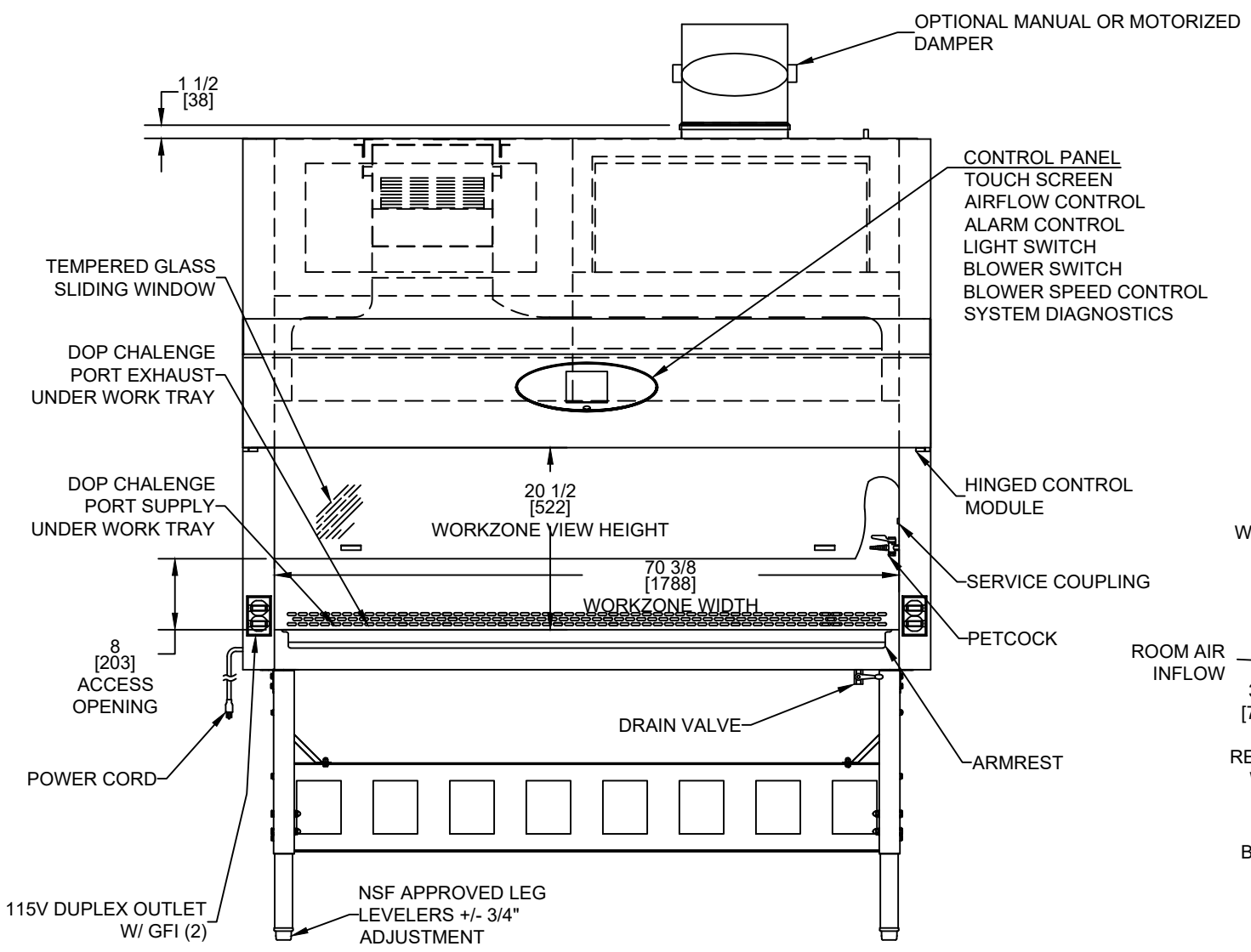
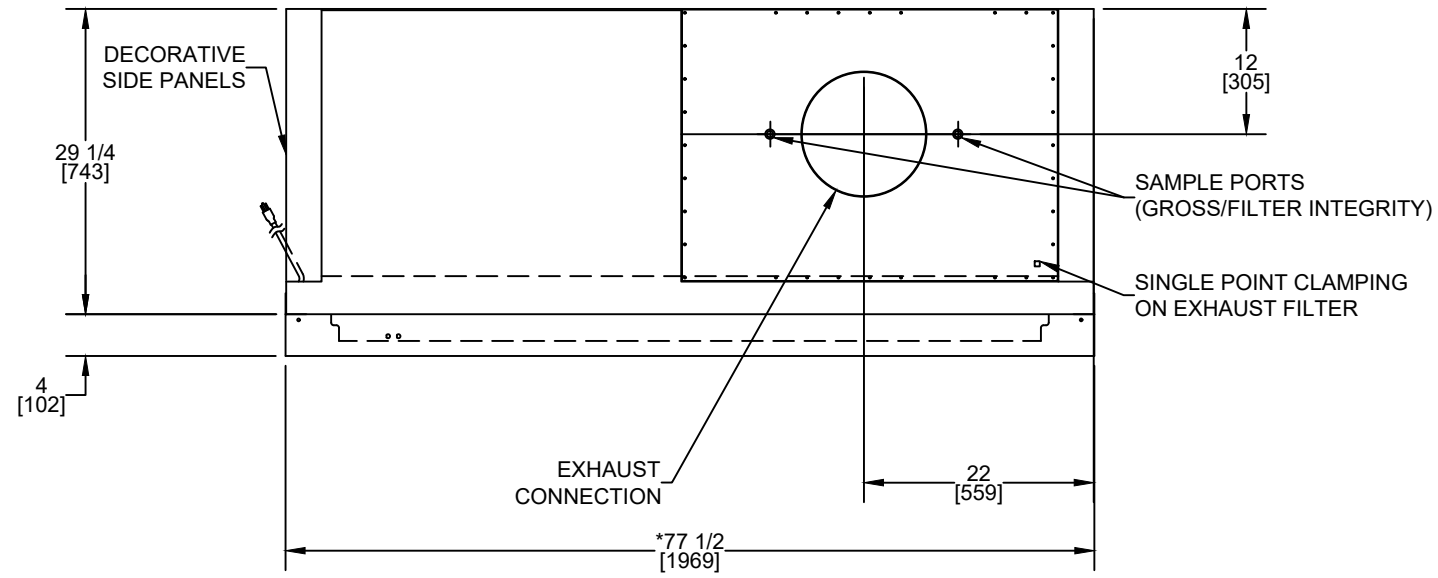



REV	CO	DESCRIPTION	DATE	DFTR	CHKD
F	001058	UPDATED LIGHTING, CORRECTED WIDTH	3/11/2022	TH	DSH

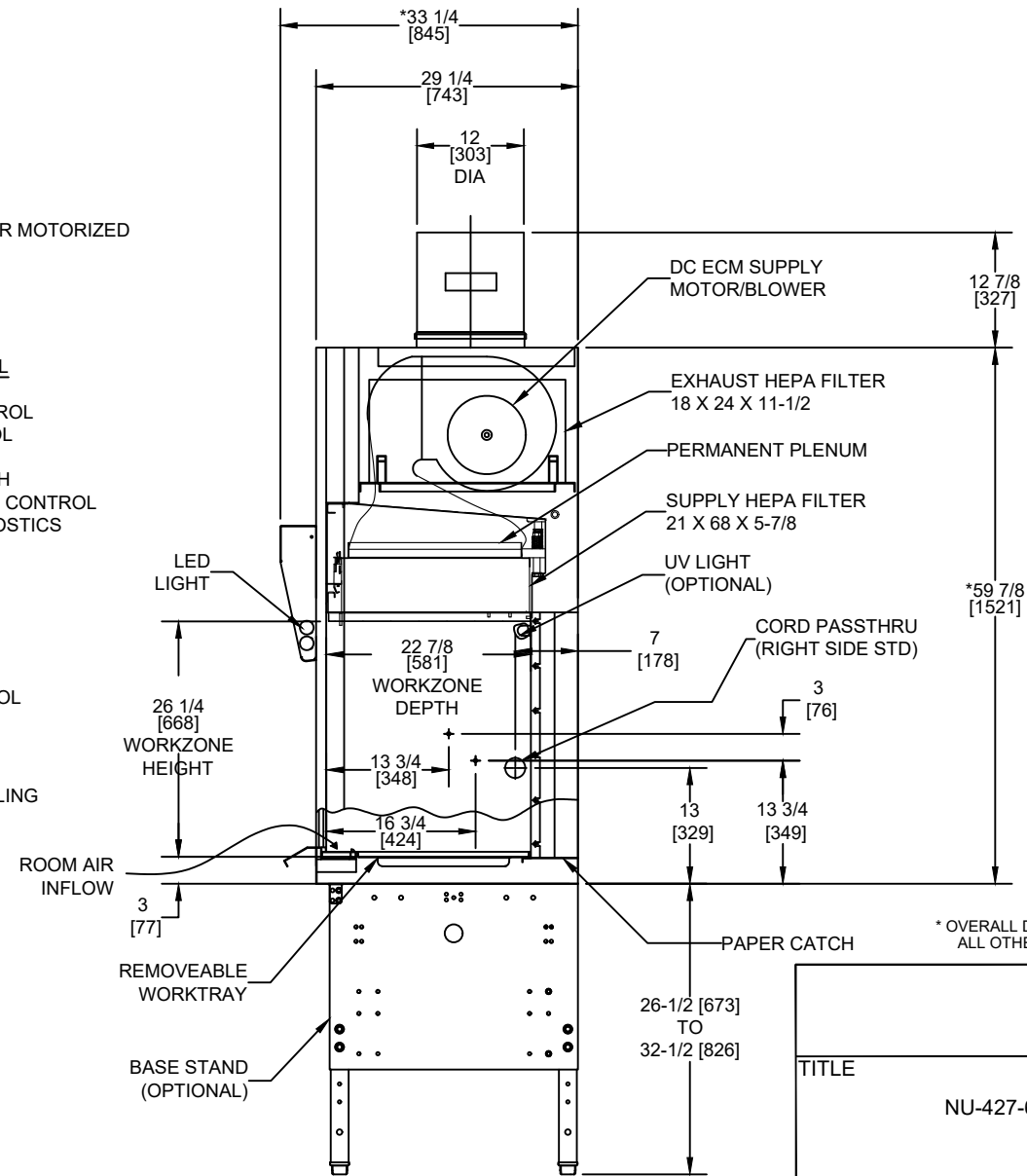
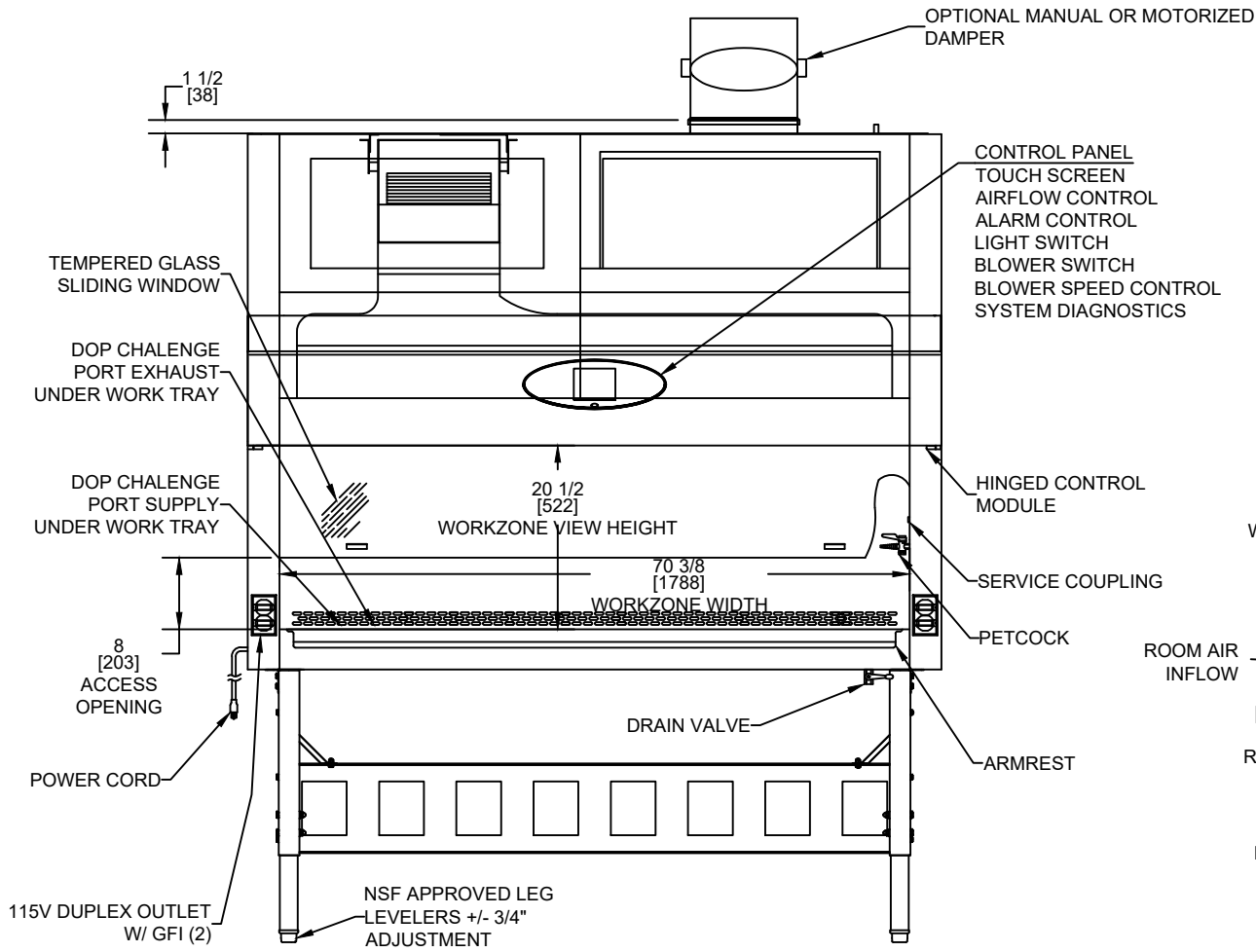
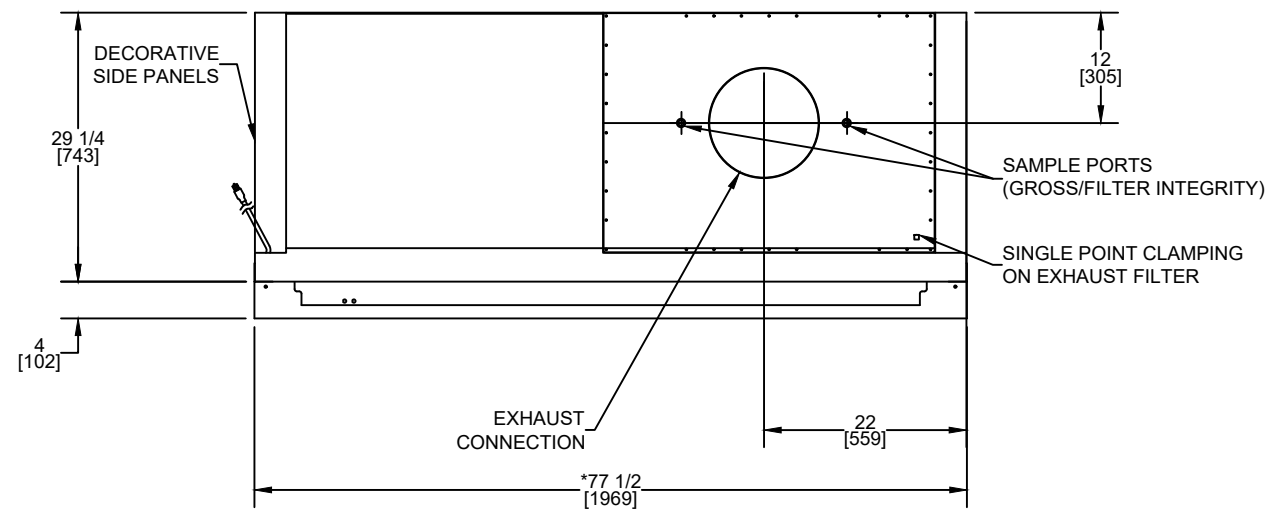


* OVERALL DIMENSIONAL TOLERANCE ±1/4 (6.35)
ALL OTHER DIMENSIONS ±1/8 (3.17)

					
TITLE NU-427-600 CLASS II, TYPE B1 BIOSAFETY CABINET					
DFTR	DHH	DATE	6/23/11	CHKD	BP
DRAWING NUMBER		BCD-14638			SHEET 1 OF 1
					F

INCHES
MILLIMETERS

REV	CO	DESCRIPTION	DATE	DFTR	CHKD
F	001058	UPDATED LIGHTING, CORRECTED WIDTH	3/11/2022	TH	DSH



INCHES
MILLIMETERS

TITLE NU-427-600 CLASS II, TYPE B1 BIOSAFETY CABINET					
DFTR	DHH	DATE	6/23/11	CHKD	BP
DRAWING NUMBER					F
BCD-14638					
SHEET 1 OF 1					