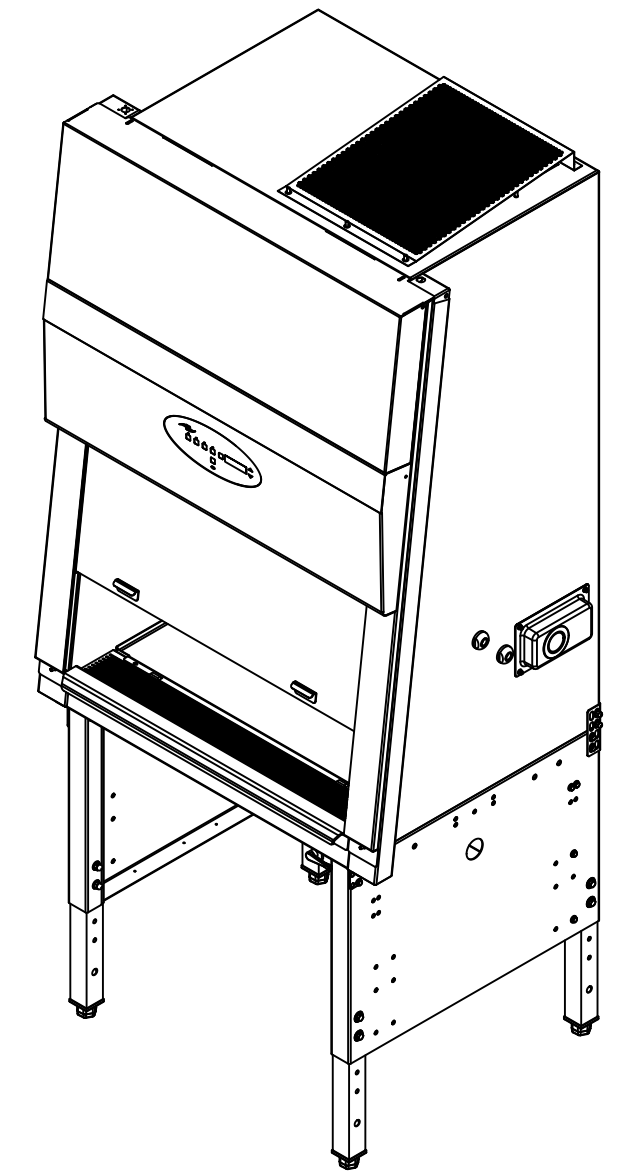
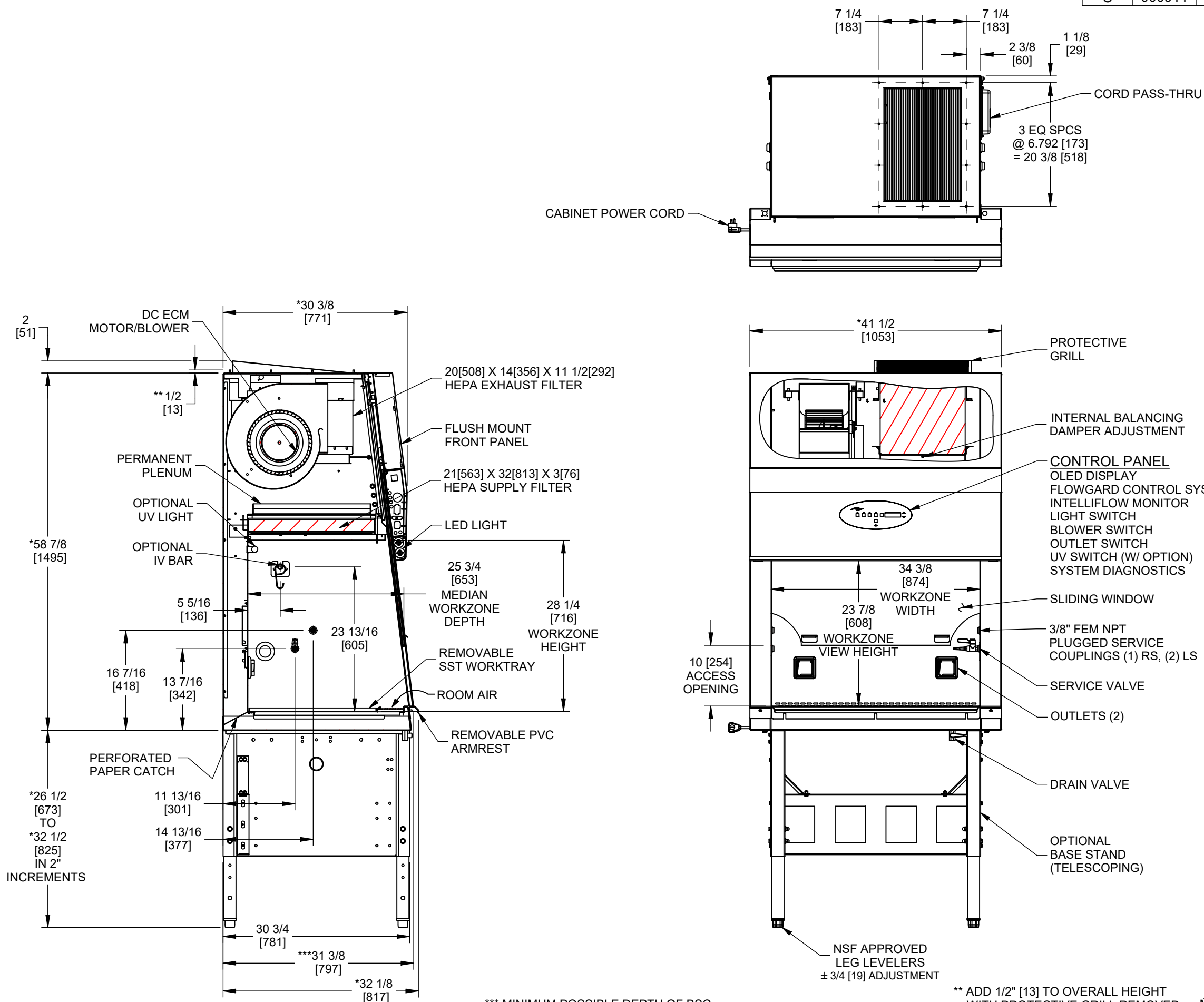


REV	CO	DESCRIPTION	DATE	DFTM	CHKD
C	000911	UPDATED	1/26/2022	TH	DSH



\*58 7/8 [1495]  
 \*26 1/2 [673] TO \*32 1/2 [825] IN 2" INCREMENTS  
 5 5/16 [136]  
 16 7/16 [418]  
 13 7/16 [342]  
 23 13/16 [605]  
 \*\* 1/2 [13]  
 \*30 3/8 [771]  
 \*\*\* MINIMUM POSSIBLE DEPTH OF BSC

\*\* ADD 1/2" [13] TO OVERALL HEIGHT WITH PROTECTIVE GRILL REMOVED

INCH MILLIMETER

\* OVERALL DIMENSIONAL TOLERANCE ±1/4 [6.35]  
 ALL OTHER DIMENSIONS ±1/8 [3.17]

TITLE NU-543-300S Specification Drawing					
DFTM IW	DATE 2/20/2015	CHKD BP	SHEET 1	OF 1	
DRAWING NUMBER BCD-17361			C		