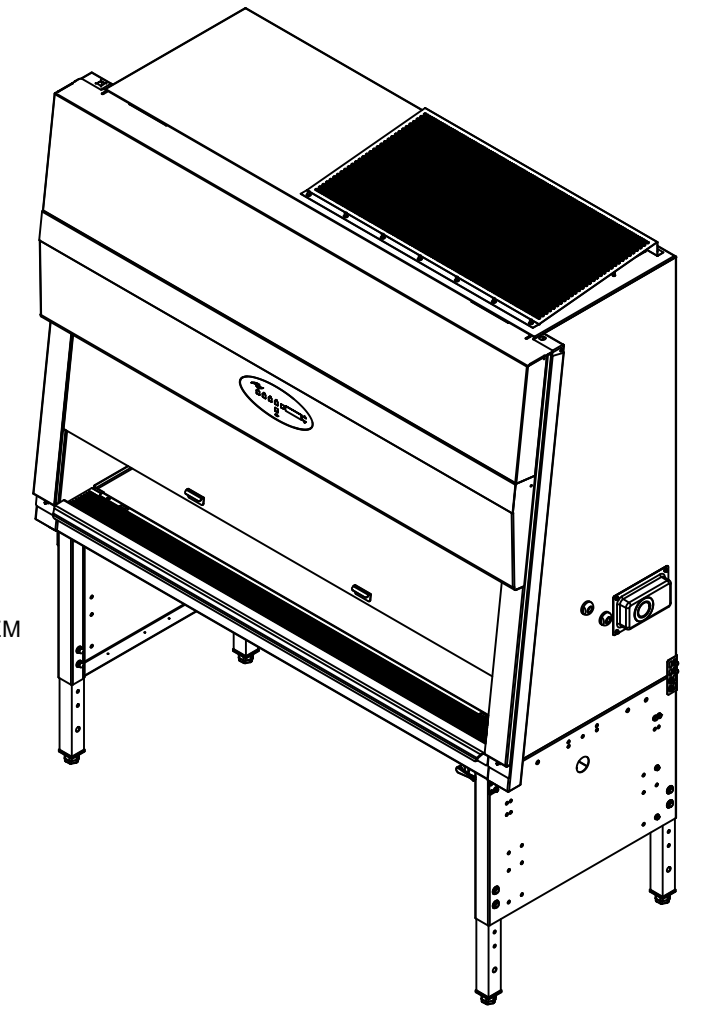
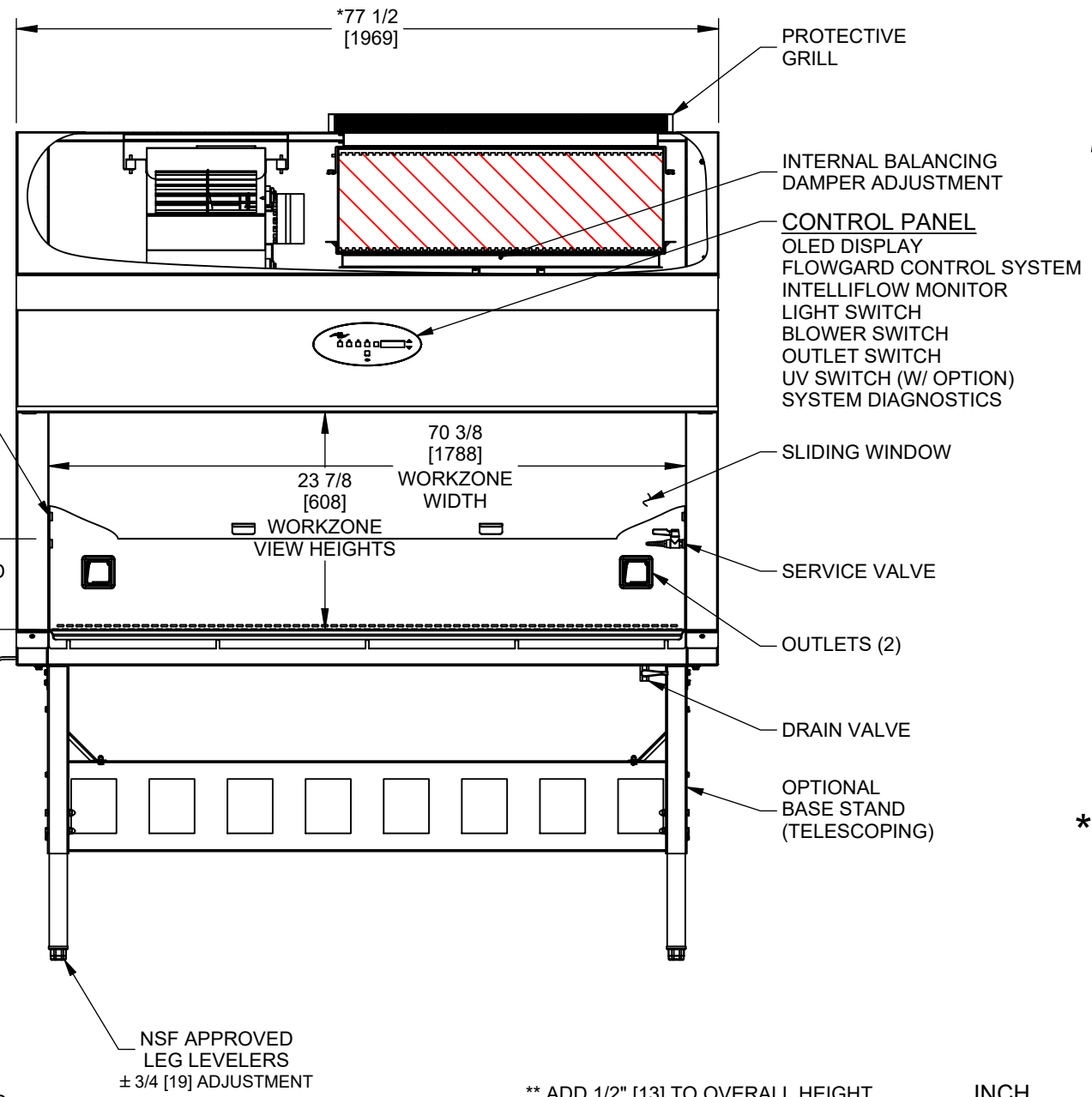
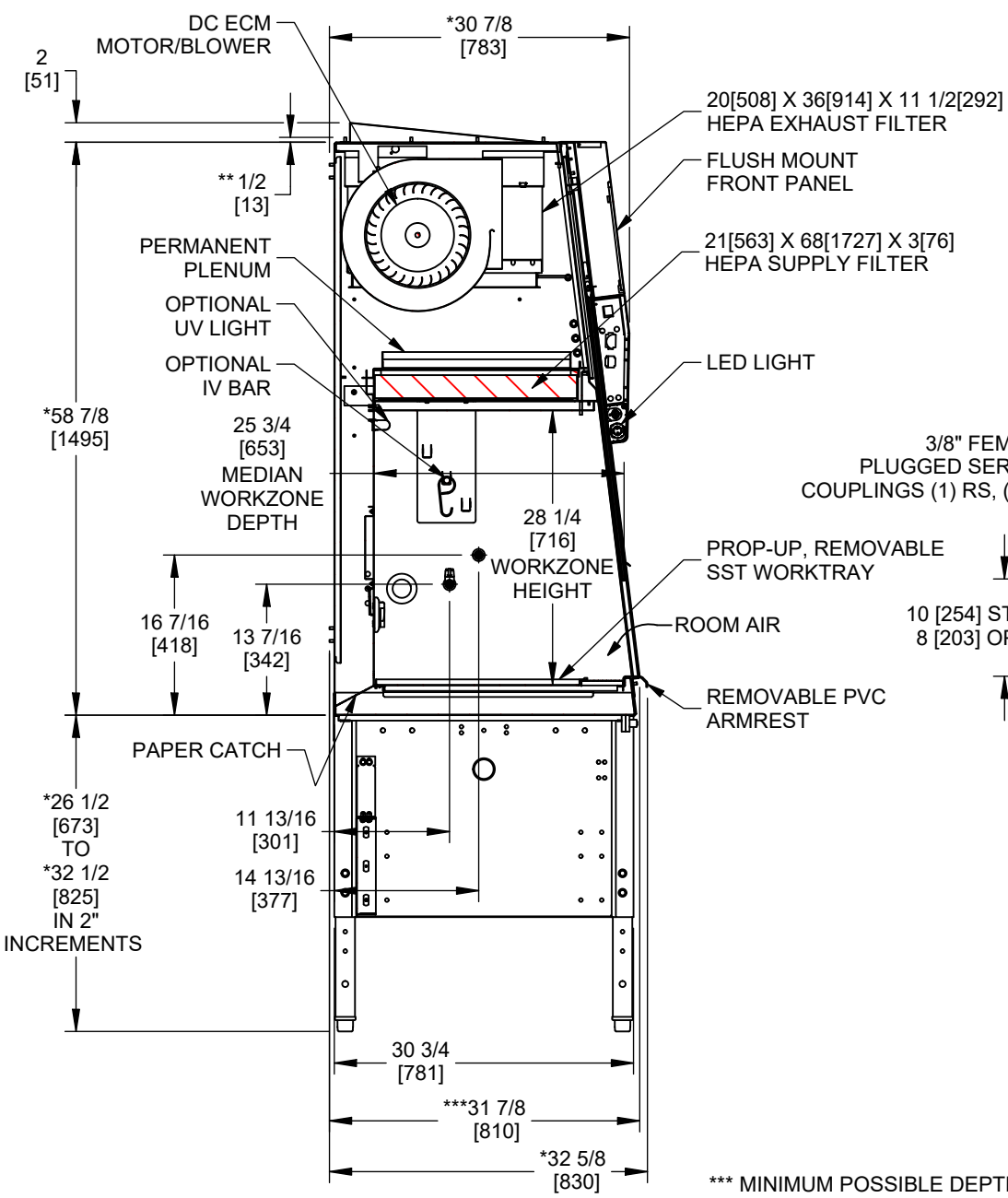
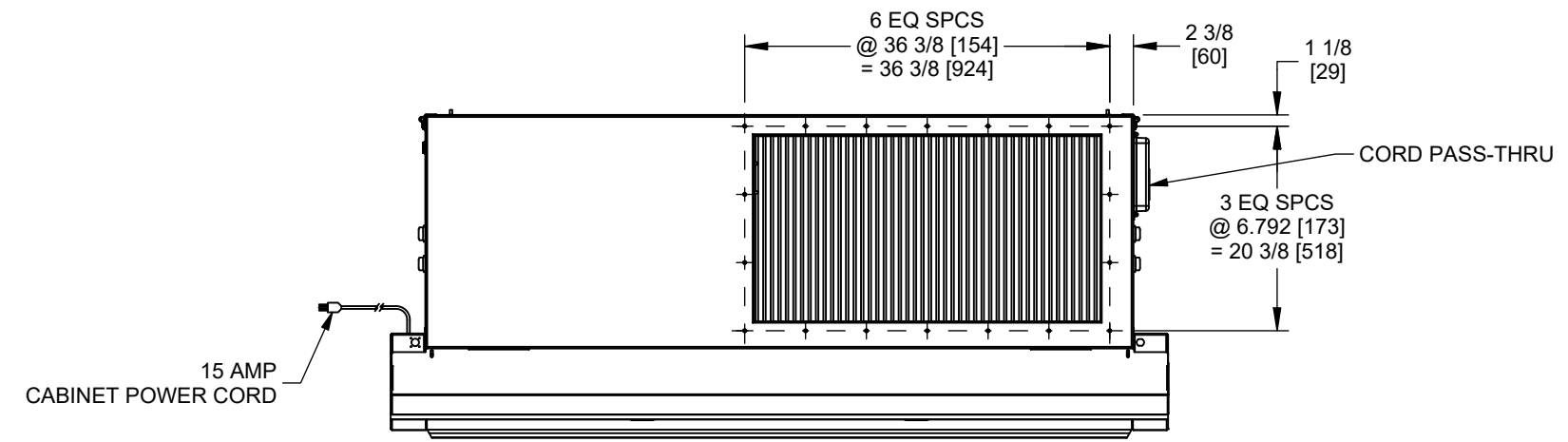



REV	CO	DESCRIPTION	DATE	DFTM	CHKD
D	000631	UPDATED W/ STANDARD PROP-UP WORKTRAY AND LED LIGHTING	2/22/2021	TH	DSH



* OVERALL DIMENSIONAL TOLERANCE ±1/4 [6.35]
ALL OTHER DIMENSIONS ±1/8 [3.17]

		TITLE				
		NU-543-600E Class II Biosafety Cabinet				
DFTM	DATE	CHKD	SHEET	1	OF	1
LS	5/20/2014	BP				
DRAWING NUMBER		BCD-16886			D	

** ADD 1/2" [13] TO OVERALL HEIGHT WITH PROTECTIVE GRILL REMOVED

INCH MILLIMETER

*** MINIMUM POSSIBLE DEPTH OF BSC