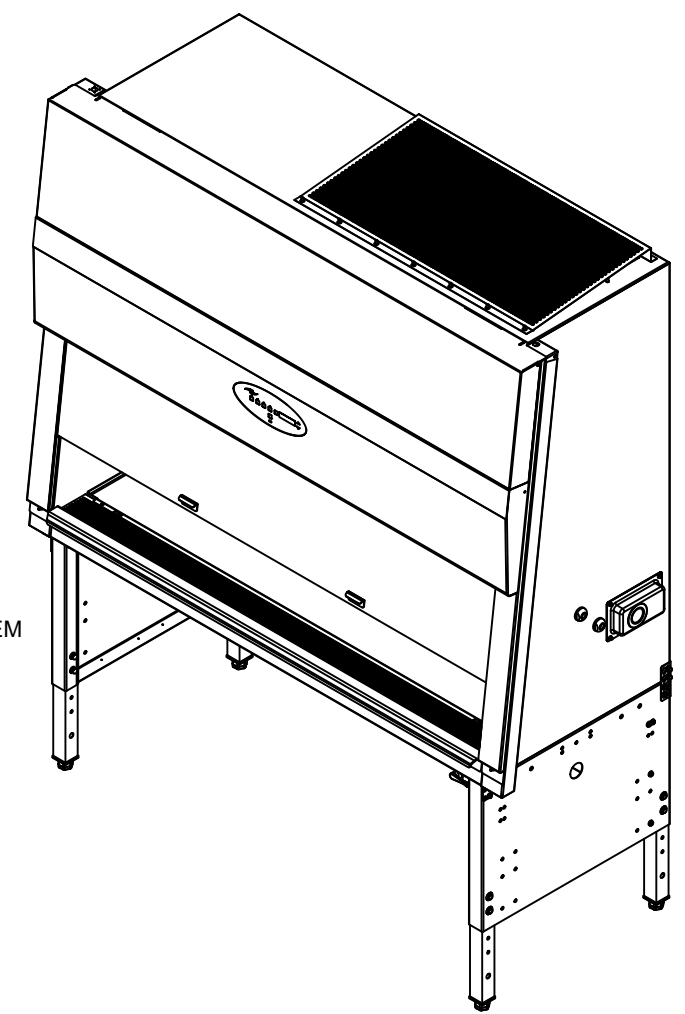
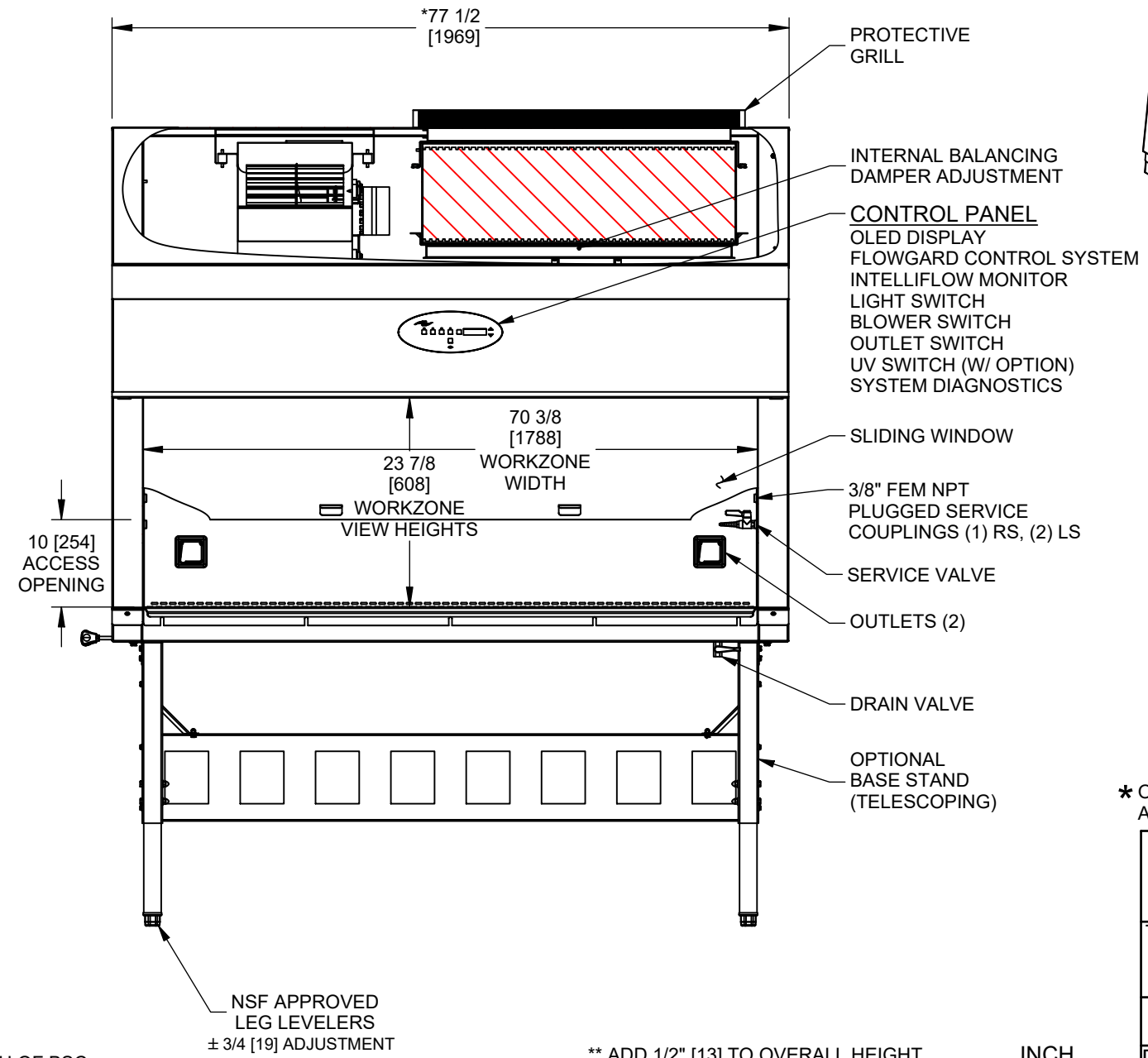
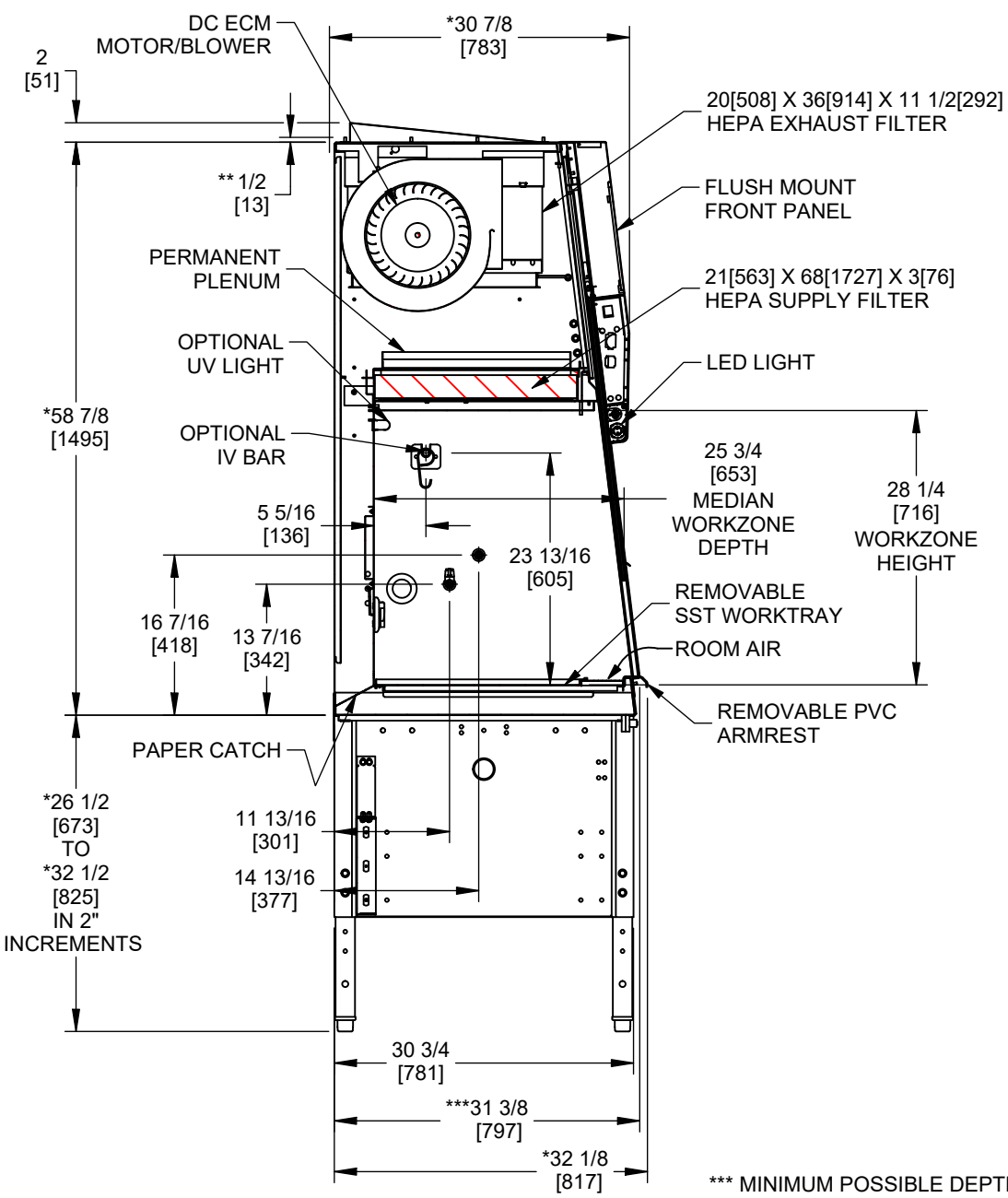
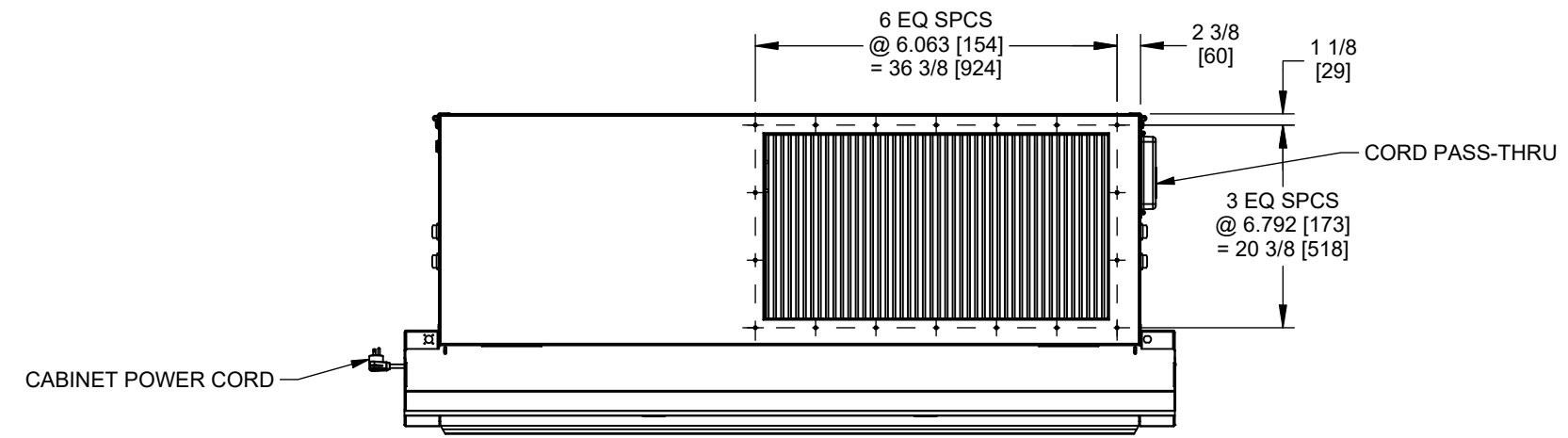


REV	CO	DESCRIPTION	DATE	DFTM	CHKD
D	000911	UPDATED	1/31/2022	TH	DSH



* OVERALL DIMENSIONAL TOLERANCE ±1/4 [6.35]
ALL OTHER DIMENSIONS ±1/8 [3.17]

TITLE NU-543-600K Specification Drawing					
DFTM TH	DATE 11/3/2017	CHKD DSH	SHEET 1	OF 1	
DRAWING NUMBER BCD-19488			D		

** ADD 1/2" [13] TO OVERALL HEIGHT WITH PROTECTIVE GRILL REMOVED

INCH
MILLIMETER