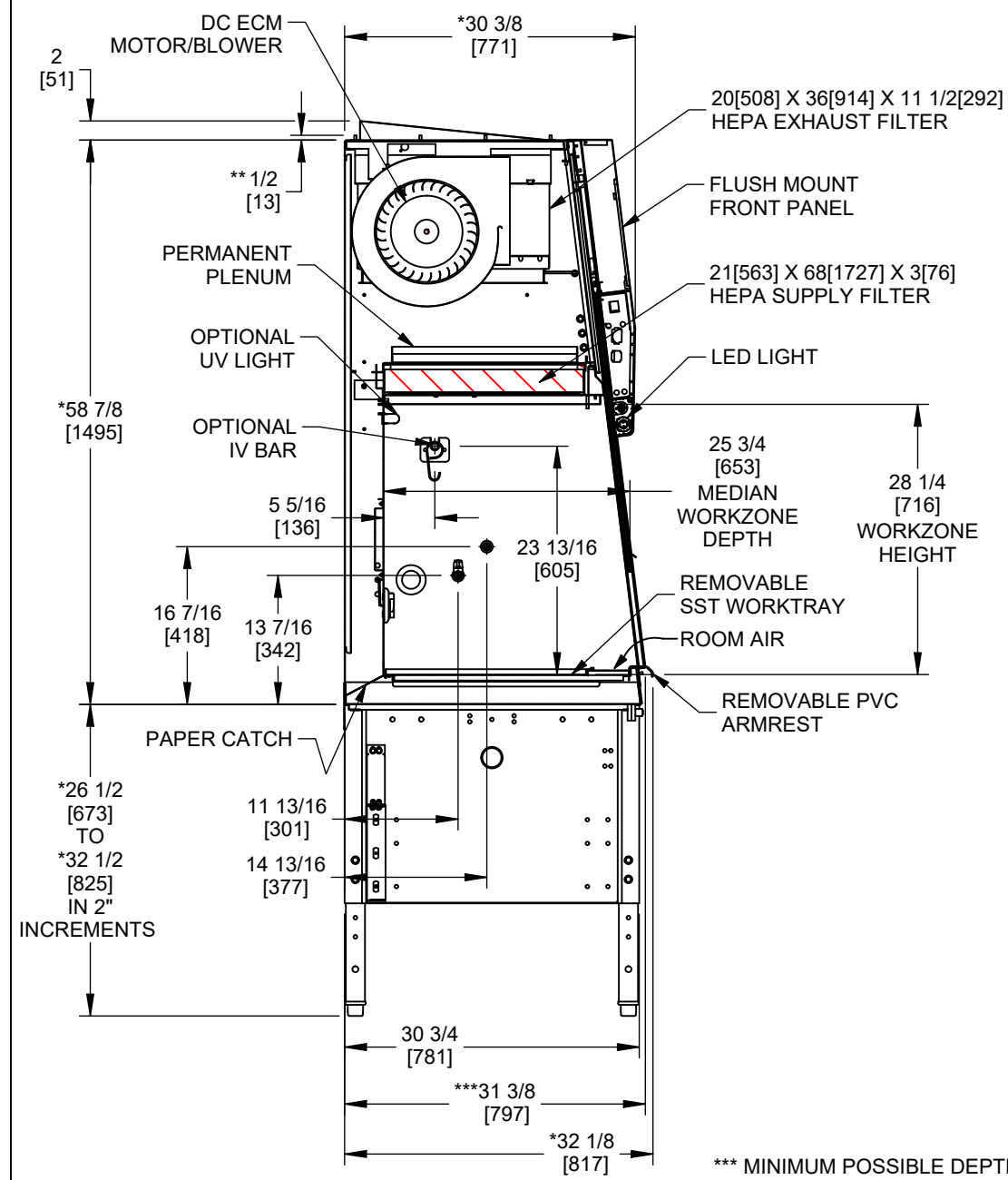
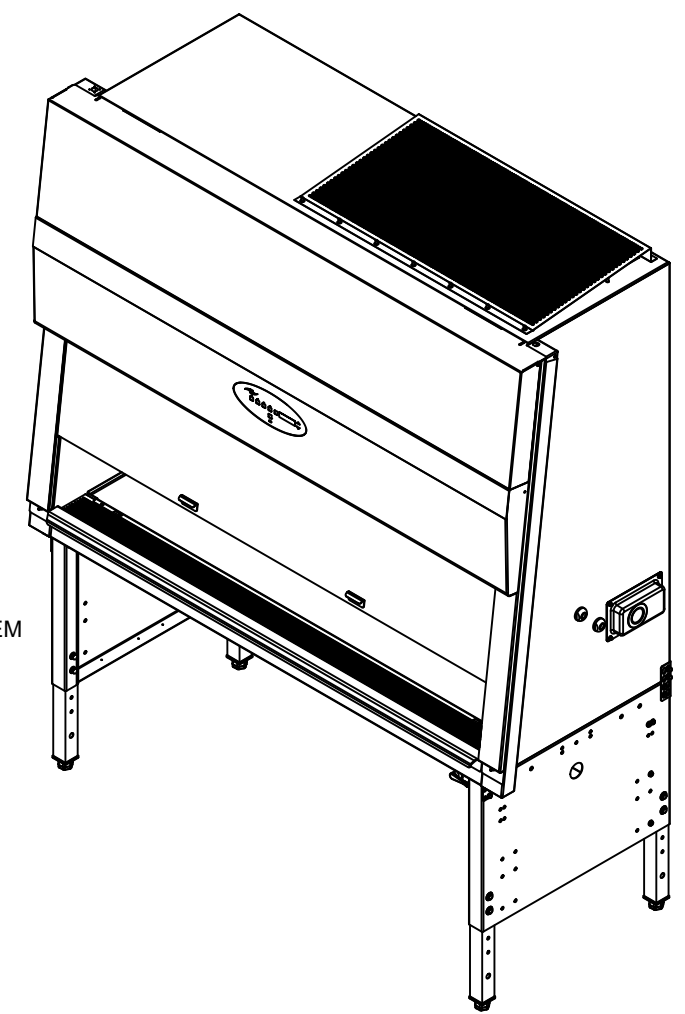
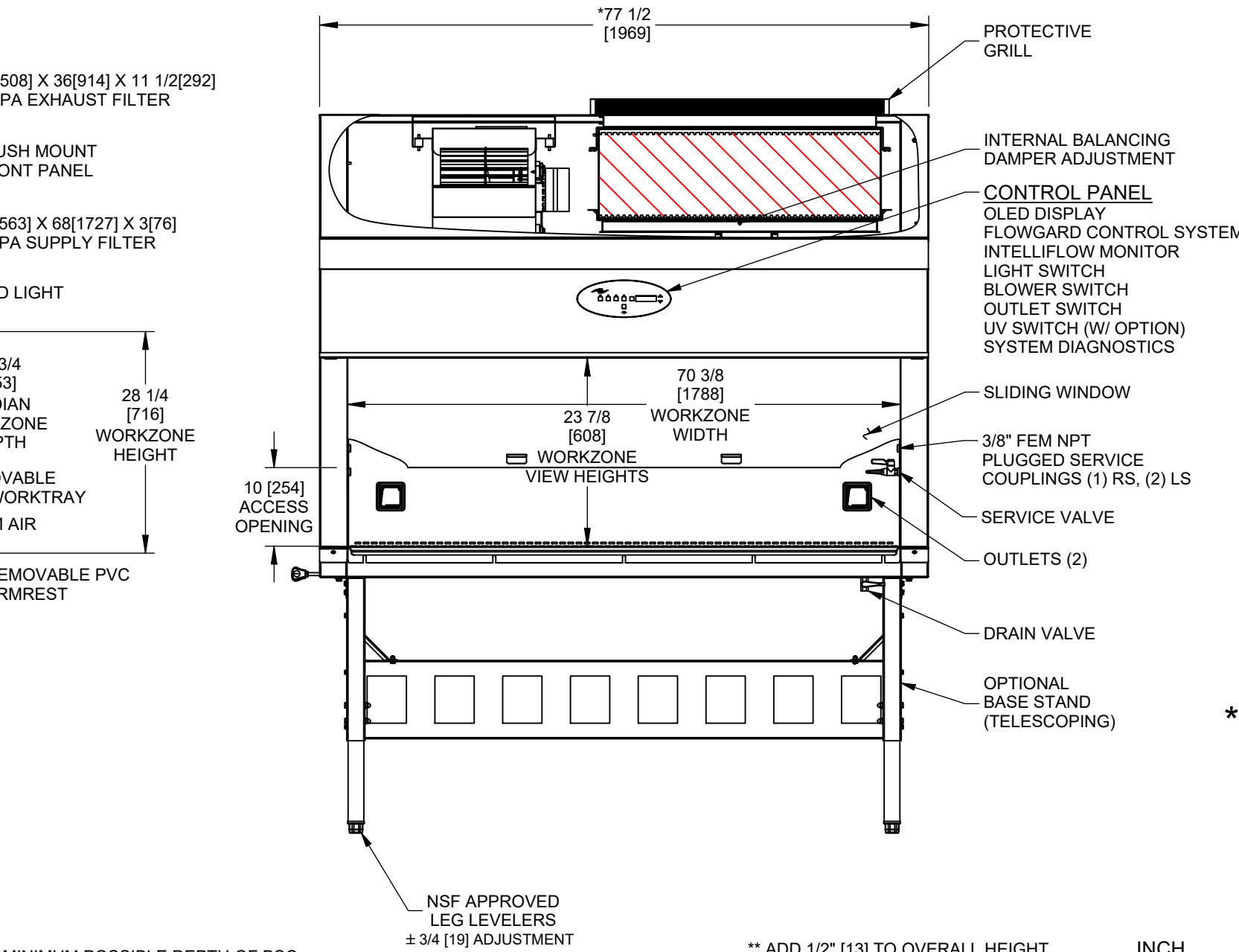
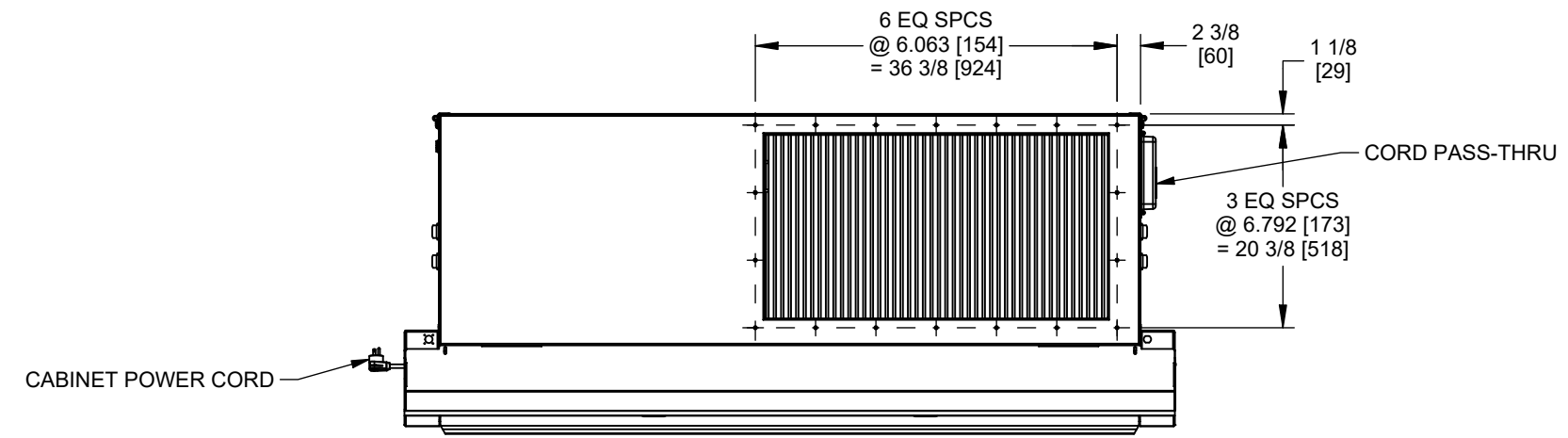


REV	CO	DESCRIPTION	DATE	DFTM	CHKD
C	000911	UPDATED	1/31/2022	TH	DSH



\*\*\* MINIMUM POSSIBLE DEPTH OF BSC

NSF APPROVED LEG LEVELERS ± 3/4 [19] ADJUSTMENT

\*\* ADD 1/2" [13] TO OVERALL HEIGHT WITH PROTECTIVE GRILL REMOVED

INCH MILLIMETER

\* OVERALL DIMENSIONAL TOLERANCE ±1/4 [6.35] ALL OTHER DIMENSIONS ±1/8 [3.17]

TITLE NU-543-600S Specification Drawing					
DFTM IW	DATE 2/20/2015	CHKD BP	SHEET 1	OF 1	
DRAWING NUMBER BCD-17364			C		