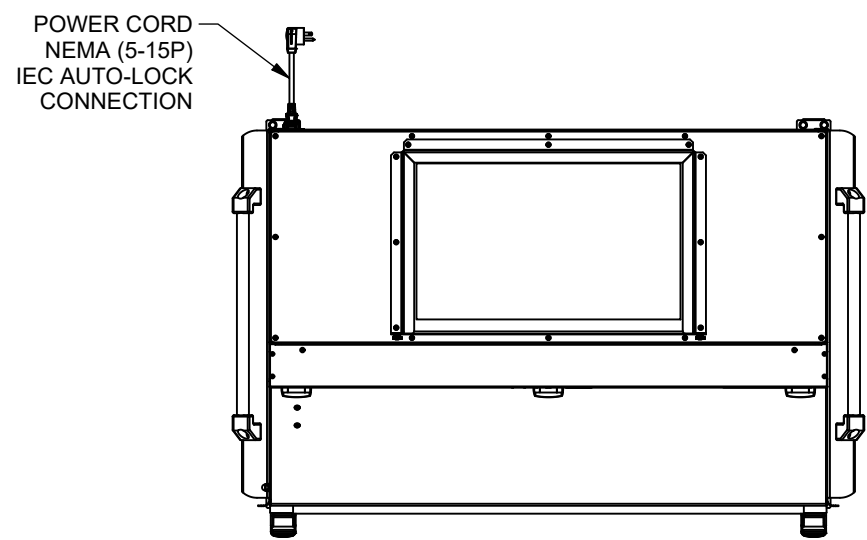
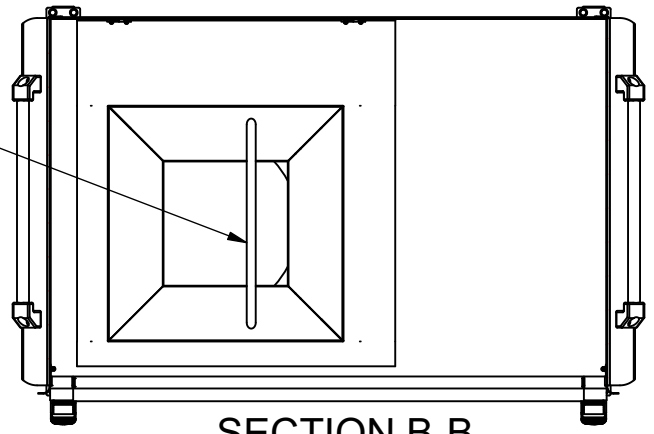


REV	CO	DESCRIPTION	DATE	DFTR	CHKD
B	001593	ADDED NOTE	11/30/2022	RN	DF

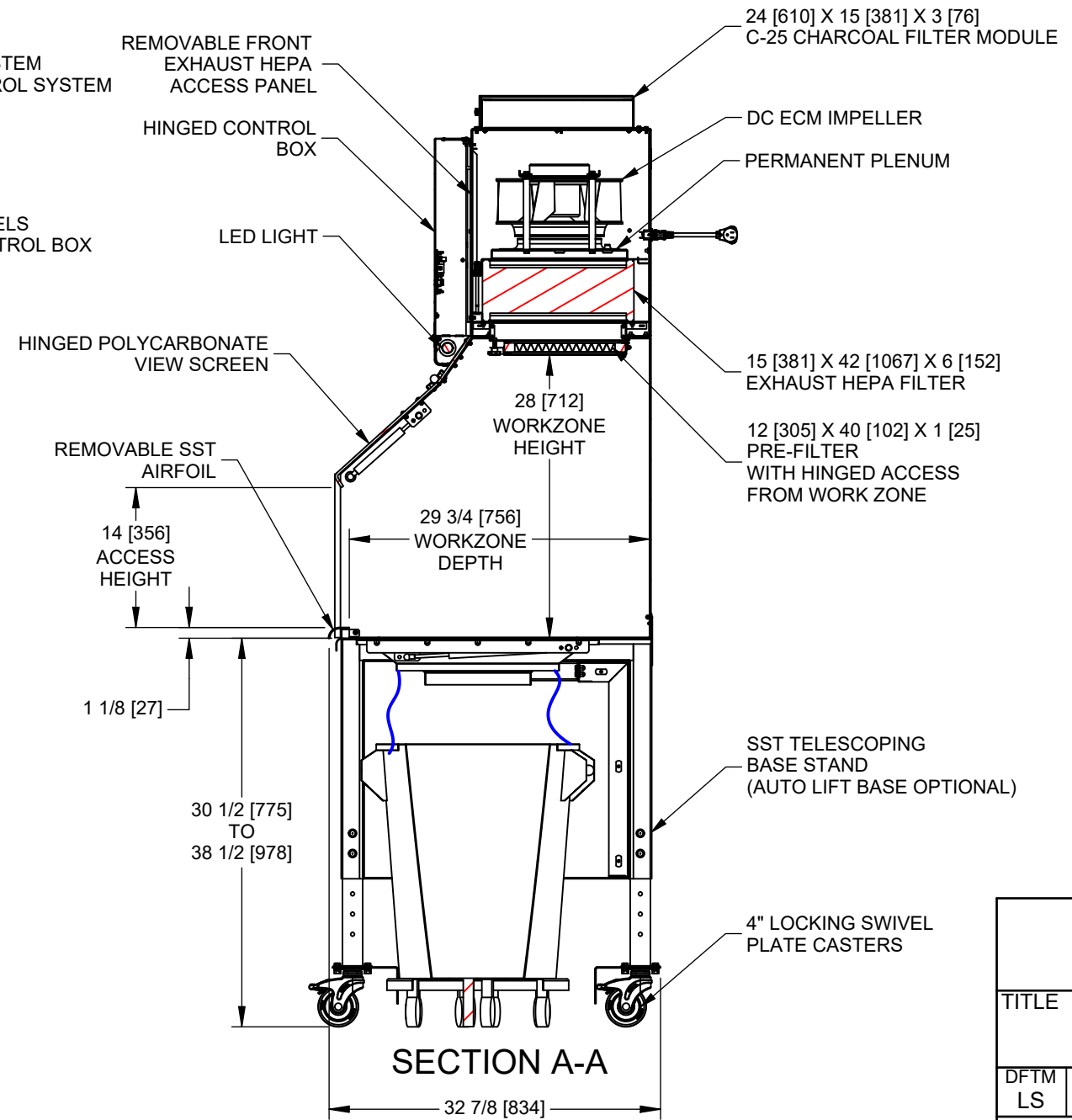
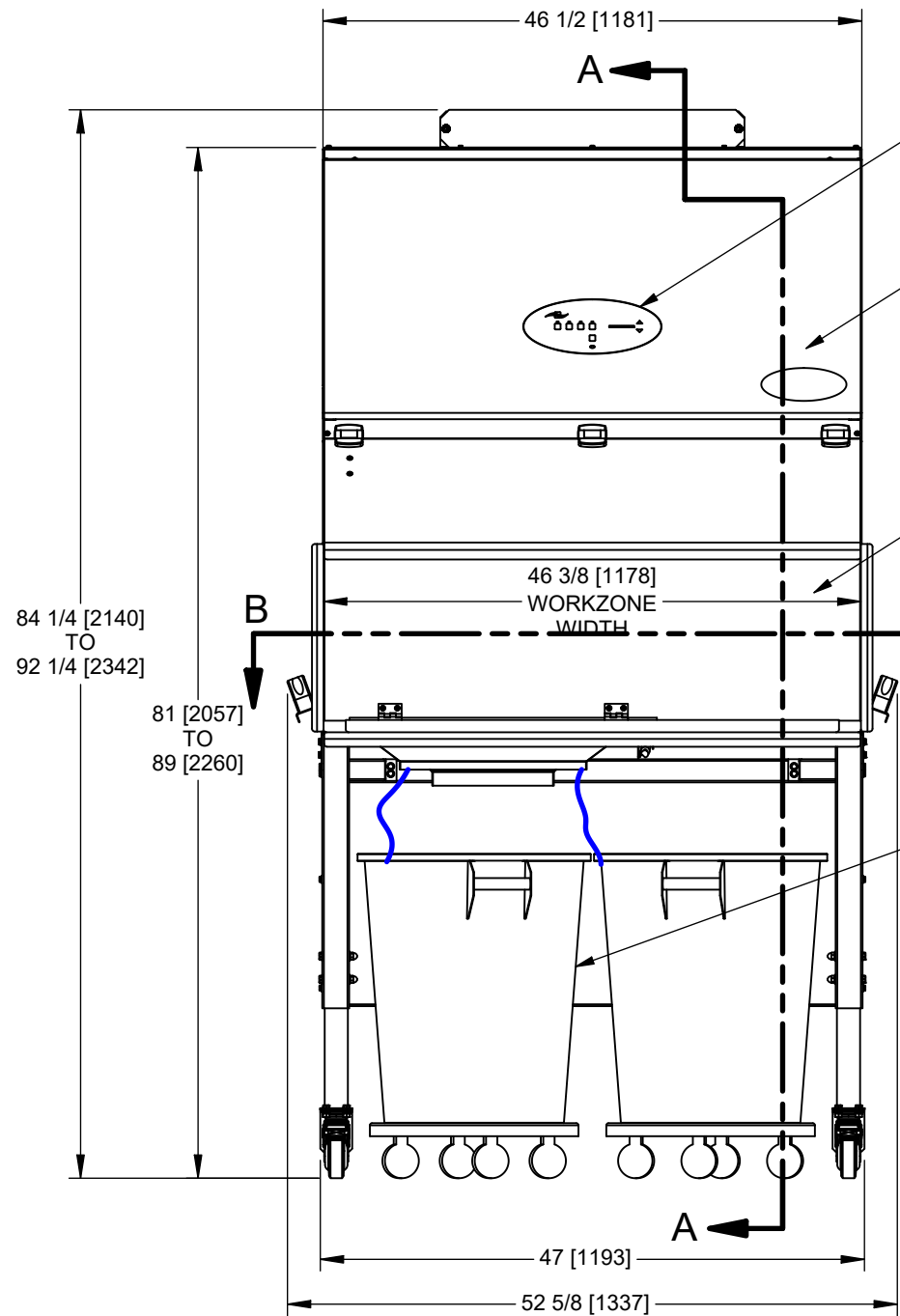


PNEUMATIC LIFT
HINGED WORK SURFACE
BAG ACCESS W/BANG BAR



SECTION B-B
WORK SURFACE

NOTE: THIS CABINET CONTAINS ELECTRONIC COMPONENTS THAT MAY CAUSE SOME GROUND FAULT CIRCUIT INTERRUPTER (GFCI) DEVICES TO INADVERTENTLY TRIP DUE TO INHERENT DESIGN DIFFERENCES. USE AT YOUR OWN RISK.



INCH
MILLIMETER

TITLE NU-608-400 Telescoping Base Specification Drawing					
DFTM LS	DATE 3/18/2021	CHKD MSS	SHEET 1	OF 1	
DRAWING NUMBER				CD-000105	
					B