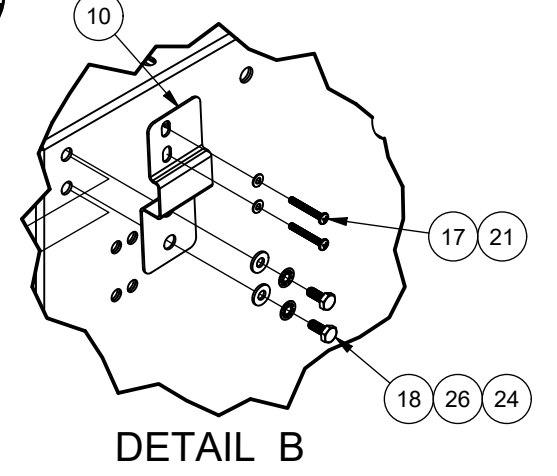
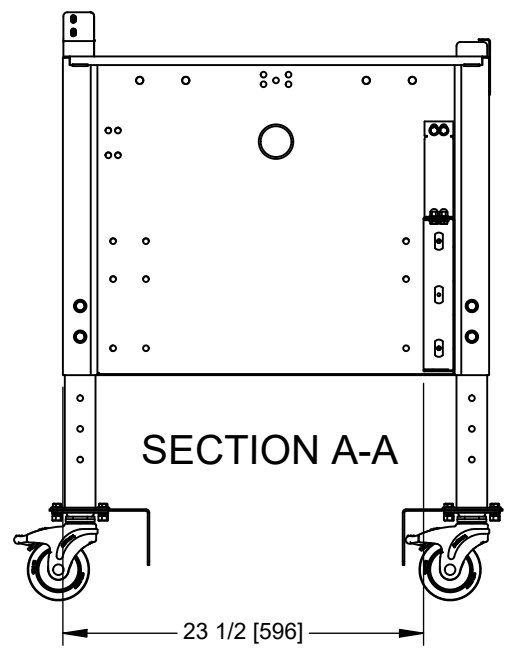
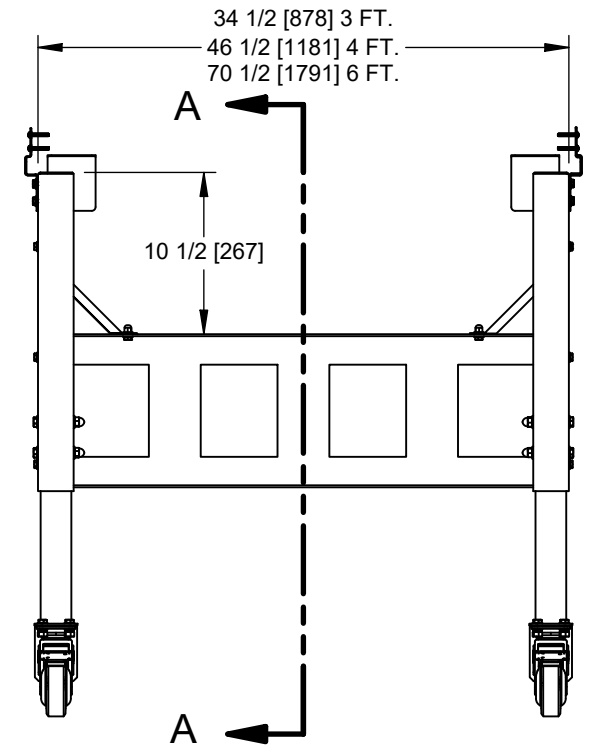
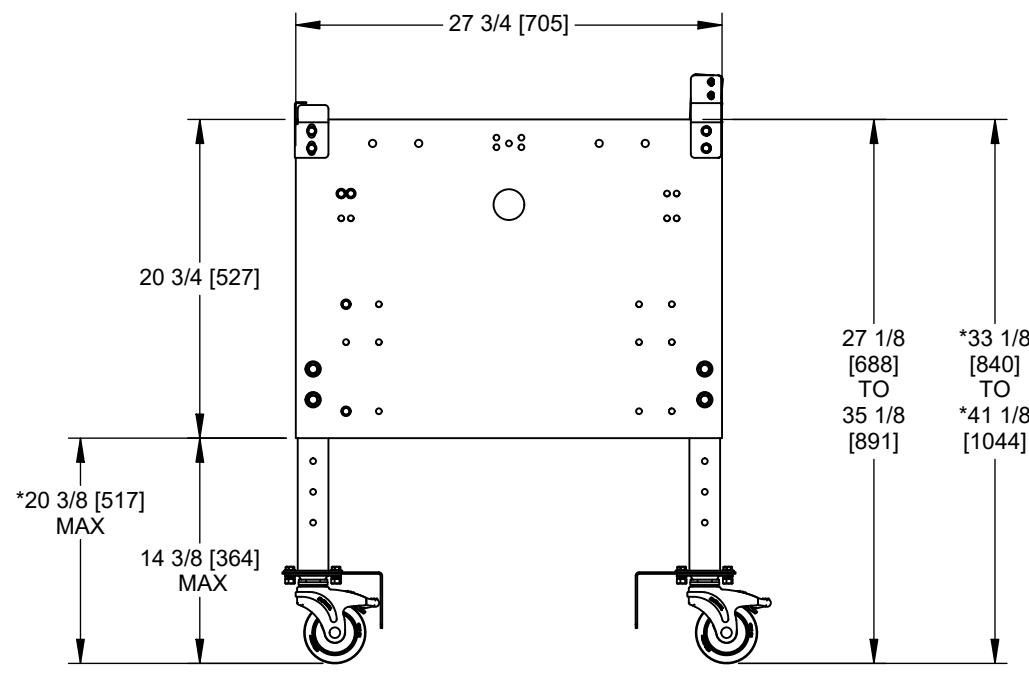
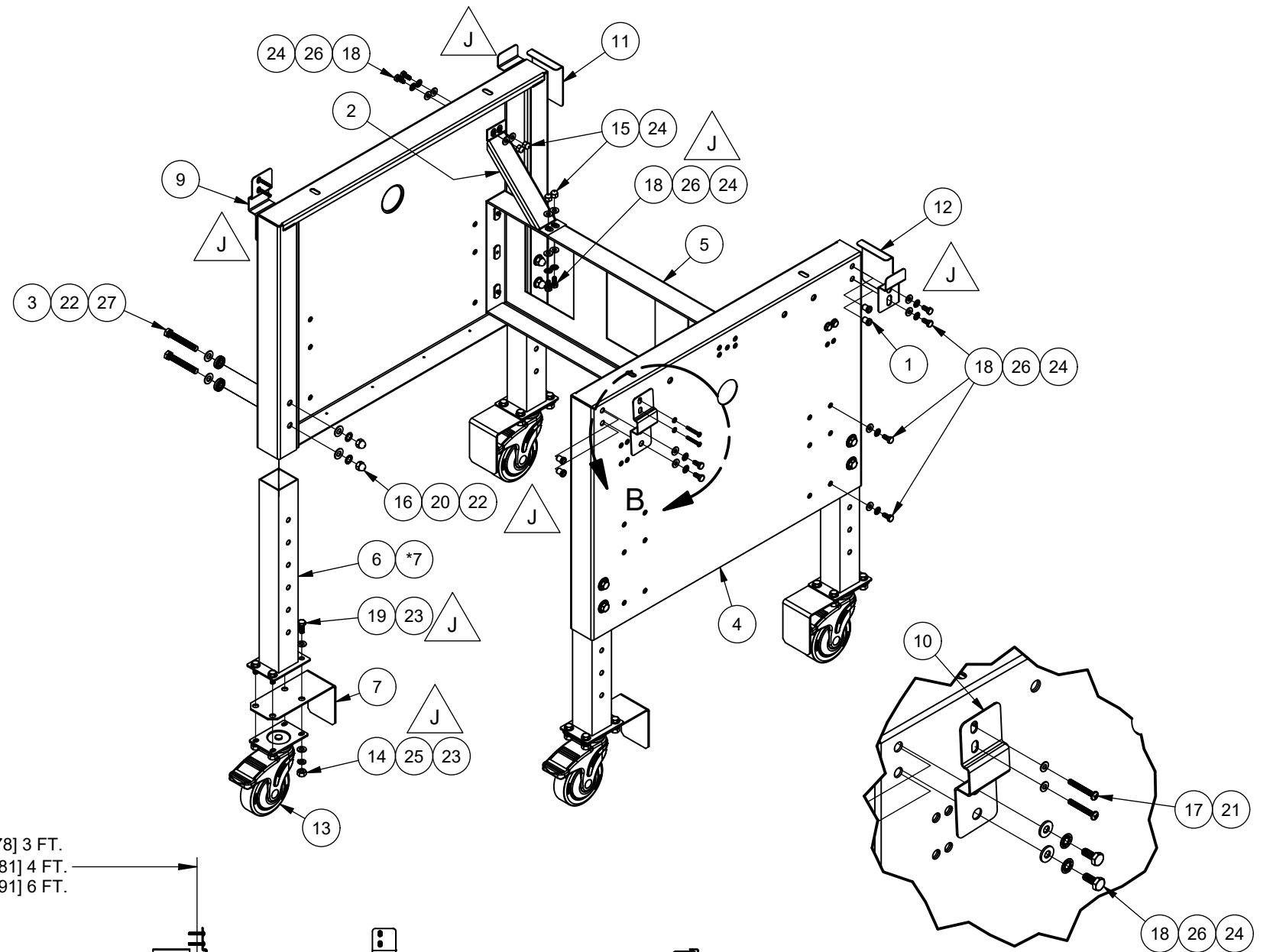


Parts List						
ITEM	QTY	PART NUMBER	3 FT.	4 FT.	6 FT.	DESCRIPTION
1	8	980-000025				Nutcert 1/4-20 UNC
2	2	A-425-7373				Lateral Biosafety Cabinet Latch
3	8	A-500-395				Basestand Leg Bushing
4	2	B-400-9562				Basestand End Panel Weldment 28"
5	1	B-500-391-TAB	-01	-02	-04	Cross Member Panel Weldment 3'
6	4	B-500-507				Leg Extension Weldment (Castor)
7	4	B-620-2285				BASESTAND, SAFETY ANGLE FOR 4 INCH CASTER
8	*4	B-800-1577				WELDMENT, LEG EXTENSION (CASTOR) EXTENDED HEIGHT
9	1	B-813-1510-01				Left Front 813 Basestand Bracket
10	1	B-813-1510-02				Right Front 813 Basestand Bracket
11	1	B-813-1511-01				Left Rear 813 Basestand Bracket
12	1	B-813-1511-02				Right Rear 813 Basestand Bracket
13	4	X-980040-08				Caster w/Brake 4" Nylon
14	16	X-980490-06				Hex Nut 5/16-18 SST
15	8	X-980493				Acorn Nut 1/4-20 (Low Crown) SST
16	8	X-980494-03				Acorn Nut 3/8-16 SST
17	4	X-980609-06				Screw PPH #8-32 X 1-1/4 SST
18	20	X-980659-12				Bolt HHCS 1/4-20 X 5/8 SST
19	16	X-980667-01				Bolt G2 5/16-18 X 3/4 SST
20	8	X-980781-07				Lock Washer 3/8 Internal Tooth SST
21	4	X-980783-03				Washer #8 SAE SST
22	16	X-980783-07				Washer 3/8 SAE Nickel
23	32	X-980790-06				Washer 5/16 SAE SST
24	28	X-980794-02				Washer 1/4 SST
25	16	X-980795-05				Lock Washer 5/16" Split SST
26	20	X-980815-01				Lock Washer 1/4 Internal Tooth SST
27	8	X-980929-01				Bolt 3/8-16 X 2-3/4 SST

REV	CO	DESCRIPTION	DATE	DFTR	CHKD
J	001624	UPDATED HARDWARE	12/16/2022	JB	DF



NU-813
NU-800-131
NU-800-132
NU-800-133
* NU-800-143
* NU-800-144
* NU-800-145

\* EXTENDED HEIGHT OPTION

TITLE ASSEMBLY, 28" BASESTAND TELESCOPING W/ CASTER					
DFTM IW	DATE 4/14/2015	CHKD MSS	SHEET 1	OF 1	
DRAWING NUMBER			BCD-17401		J