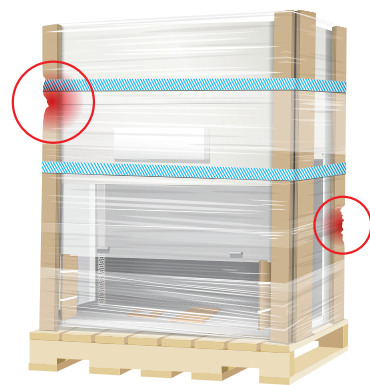


1 INSPECT, UNPACK, CLEAN

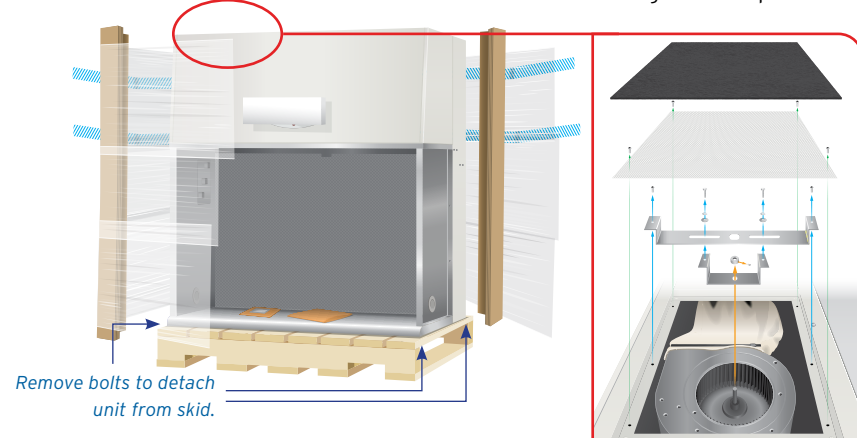
INSPECT

Upon delivery, inspect both the packing crate and product for potential damage.



UNPACK

Remove packaging. If possible, leave the LAFW secured to shipping pallet until moved to desired location. Remove bolts securing LAFW to pallet.



CLEAN EXTERIOR



Wipe down exterior of unit prior to placing in your lab or clean room.

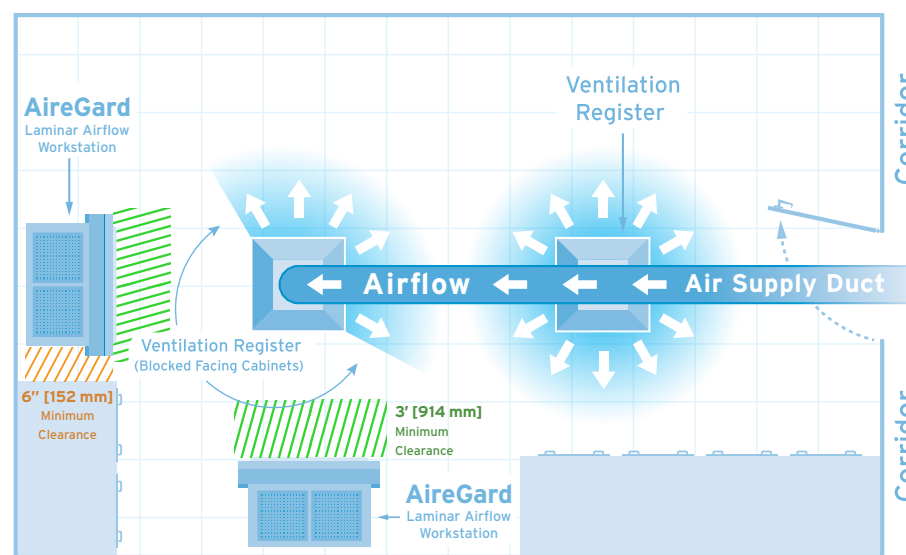
CAUTION: Do NOT use CHLORINATED or HALOGEN cleaning agents. Use 70% isopropyl or other surface disinfectants compatible with workstation materials.
*Refer to section 5.4 in your operations manual

Disclaimer: NuAire does not warrant any product with respect to cleaning material compatibility. Use at your own risk.

*NU-140 & NU-240 only

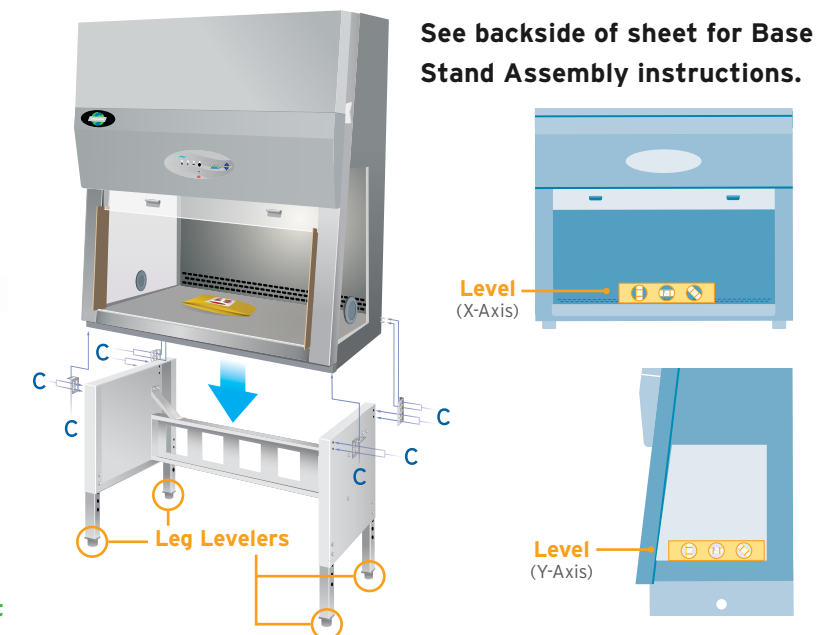
1. Remove pre-filter on top of unit on blower side
2. Remove pre-filter screen and its 4 corner screws
3. Remove 4 screws on the metal blower strap
4. Remove shaft collar and metal blower strap
5. Replace pre-filter screen with 4 corner screws and pre-filter

2 PLACEMENT IN LAB



- A) Place in area with motionless ambient air to avoid any interference with the exhausted laminar out flow.
- B) Ensure your LAFW is at least 6 in [152 mm] of space between walls and other devices to ensure personnel remains unobstructed
- C) Avoid placing your product near any heating or cooling registers. If units must be placed near a register, block the out-flow in the direction of the LAFW.
- D) Leave at least 3 ft (914 mm) in front of the work zone to allow clearance for lab personnel.
- E) The LAFW location should allow easy access to an approved power outlet.
- F) The control center electronics should remain accessible for maintenance and service technicians.

3 PLACE ON BASE STAND, LEVEL

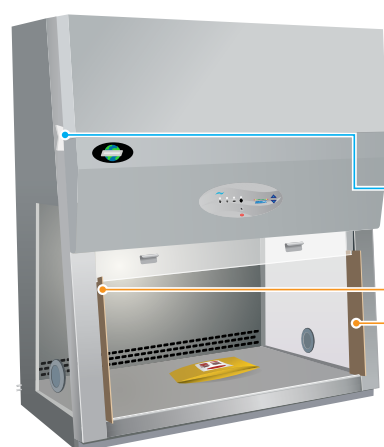


- A) Carefully slide your unit onto mechanical lifting device.
- B) Slowly drop unit onto base stand using your mechanical lifting device.
- C) Attach Mounting Brackets on each corner of unit/base stand.
- D) Level unit by placing level in center of work zone. Adjustable leg levelers are located at bottom of base stand. Read level along both X & Y axis of unit.

*NU-140 & NU-240 only

4 FINAL ASSEMBLY & CLEANING

- A) Remove part components from included envelope.
- B) Remove any remaining packaging materials from the work zone. Remove cardboard window sash guards and the small corner foam pieces from inside the control panel.
- C) Clean interior of cabinet with approved disinfectants.



CAUTION: Do NOT spray cleaning agents directly onto diffuser. This will destroy the HEPA filter directly behind it.

REMOVE small foam packaging behind service panel

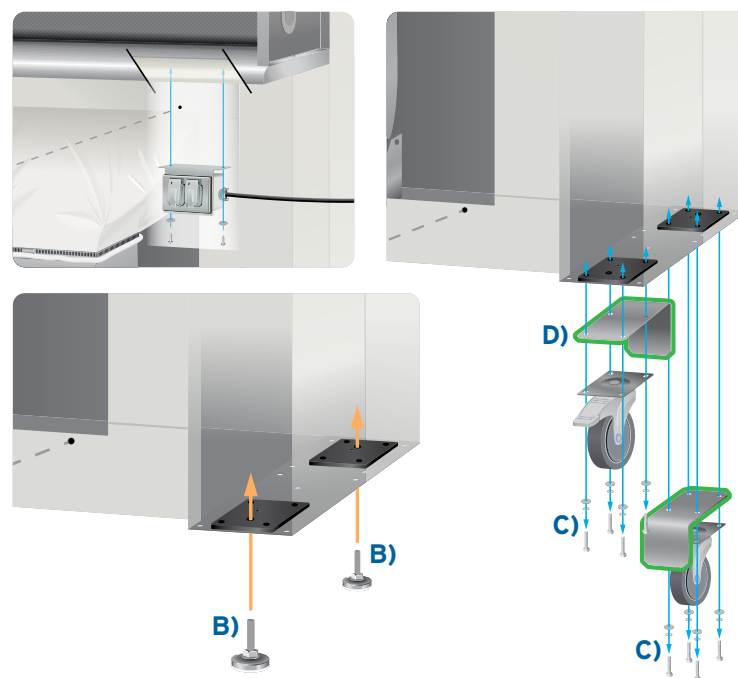
REMOVE window blocks from sash
*NU-140 only

OUTLET INSTALLATION

- A) Remove packaging.
- B) Screw into under-side of work surface.

INSTALL NU-340 CASTERS

- A) Remove front pre-filter grill, mesh, and screen.
- B) Raise and support unit one side at a time to gain access to bottom of LAFW. If using leg levelers, screw one into each corner of unit.
- C) If using casters, remove hardware from bottom of the unit; retain all bolts and washers.
- D) Install safety angle between casters and work station shown at bottom of unit. Re-install bolts and washers into the interior mounting plate.
- E) With all four corners secured, lower unit and connect to power.



5 CERTIFICATION

FIND A CERTIFIER NEAR YOU

Your LAFW must be independently certified prior to use to meet manufacturer specification and standards.



Go to: www.info.nsf.org/Certified/Biosafety-Certifier/ to find your local NSF approved LAFW certifier.

WARM UP LAFW BLOWER

Let the blower motor run for at least one hour prior to first use to flush out any remaining shipping particles.



PARTS

1 x26
Bolt 1/4-20 x 5/8 in

2 x8
Bolt 3/8-16 x 2 3/4 in

3 x8
Acorn Nut 1/4-20 in

4 x8
Acorn Nut 3/8-16 in

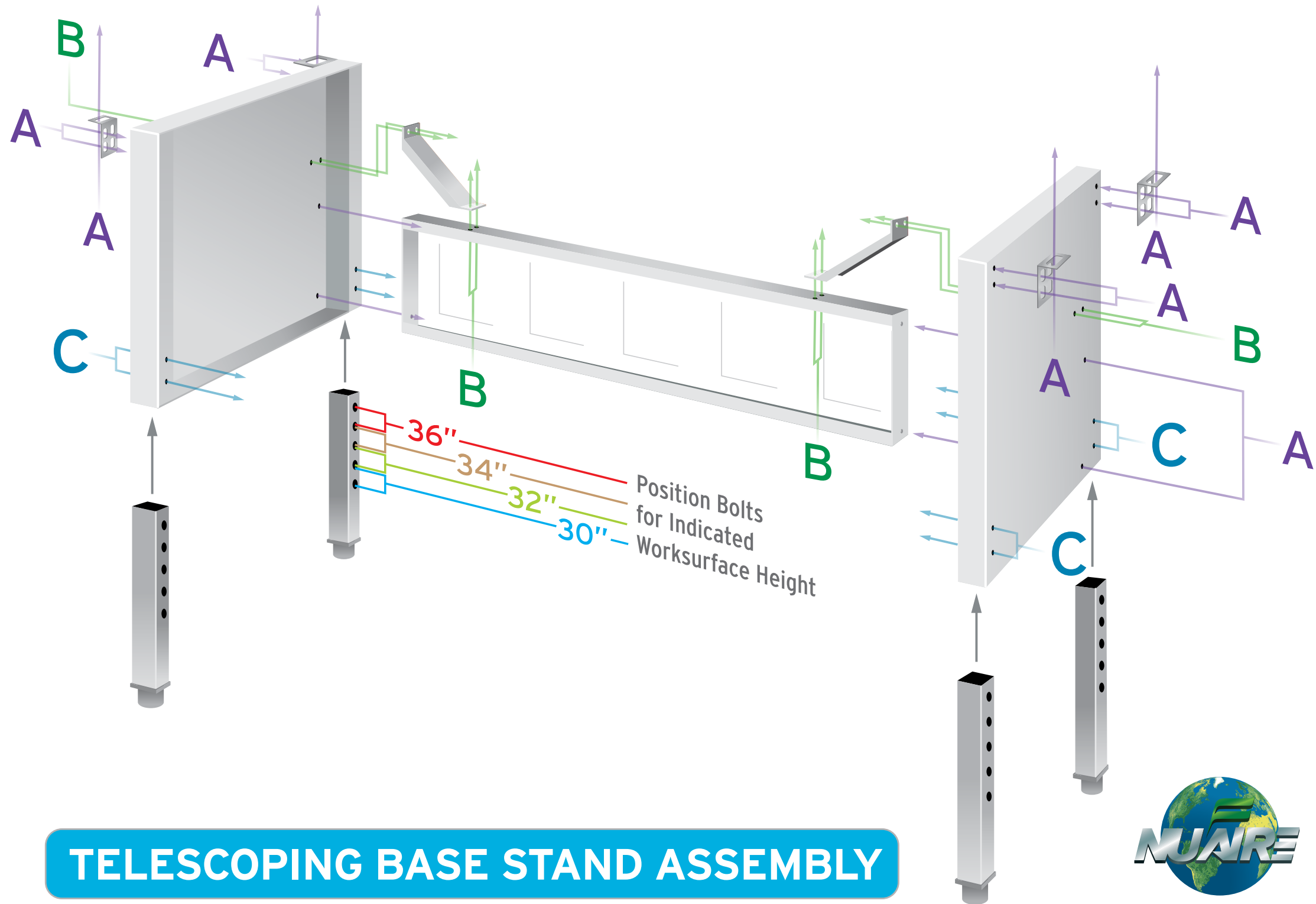
5 x8
Base Stand Leg Bushing

6 x34
Washer 1/4 in

7 x16
Washer 3/8 in

8 x26
Toothed Washer 1/4 in

9 x8
Toothed Washer 3/8 in



TELESCOPING BASE STAND ASSEMBLY

